

4,000 • 5,000 • 5,500 • 6,000 • 7,000 lbs

Yale Veracitor™ GC-VX Series

This series of trucks is available in three configurations to meet and exceed your material handling application requirements. The Veracitor™ Productivity truck delivers maximum performance for medium to heavy-duty applications with state-of-the-art features and industry leading power. The Veracitor™ Value truck provides excellent performance for standard and medium-duty applications and is optimized for lowest hourly cost of operation. The Veracitor™ Base truck offers first-rate performance for standard-duty applications and is geared to minimize your cost of acquisition without compromising performance.

Productivity LP/Gas Engine Specifications

Engine	GM
Cylinder	4
Camshaft	Overhead Valve
Displacement	146.5 cu.in./2.4 litre
Torque LP	123 lb.ft. @ 2600 RPM
Torque Gas	103 lb.ft.@2600 RPM
Horsepower LP	61.0 hp @ 2600 RPM
Horsepower Gas	51.0 hp @ 2600 RPM
Air Filtration	Two Stage, Dry Type
Emission Control	Closed loop

Value LP Engine Specifications

Engine	Mazda 2.2L
Cylinder	4
Camshaft	Overhead Valve
Displacement	134.3 cu.in./2.2 litre
Torque LP	94 lb.ft. @ 2600 RPM
Horsepower LP	46.5 hp @ 2600 RPM
Air Filtration	Two Stage, Dry Type
Emission Control	Closed loop

Base LP Engine Specifications

Engine	Mazda 2.0L
Cylinder	4
Camshaft	Overhead Valve
Displacement	122 cu.in./2.0 litre
Torque LP	82 lb.ft. @ 2600 RPM
Horsepower LP	40.6 hp @ 2600 RPM
Air Filtration	Two Stage, Dry Type
Emission Control	Closed loop

Yale Veracitor™ VX Engines feature a rigid cast iron block and main bearing caps. Nodular iron crankshaft is supported on five main bearings. Camshaft is cast iron. Hydraulic valve lifters are utilized to eliminate the need for manual adjustment. All engines include hardened exhaust valve seats. The GM engine features hardened intake and exhaust valve seats with stellite coated valves for superior durability. All engines are EPA emissions compliant and feature closed loop emissions regulation systems that continually monitor exhaust and adjust fuel/air mix as necessary. The GM engine also features an electronic throttle for precise performance and control.

Fuel System

The Mazda LPG engine uses a single barrel carburetor with an LPG injector and a regulator/vaporizer. The Engine Control Unit controls the LPG injector fueling, and the carburetor and the regulator are not adjustable. The GM LP and Gas engines use sequential port fuel injection. The GM LP engines use a vaporizer/ regulator to convert the fuel from a liquid to a gas for vapor injection. The Engine Control Unit electronically controls the fuel, air, and spark advance to provide the necessary torque. The engine control unit's inputs include manifold air pressure, manifold air temperature, engine coolant temperature, accelerator pedal position, throttle position, engine speed, cam signal, and oxygen sensor signal.

Transmission

There are four transmission selections available with multiple engine configurations that will handle a wide variety of material handling applications. All transmissions feature electronic inching (requires no adjustment), electric shift control, neutral start switch, and anti-restart protection. A single pedal controls both inching and braking. Optional dual inch/brake pedals are available for operators who prefer this design. A 100 mesh suction and a 10 micron return line filtration protect the transmission from abrasive contaminants.

The Techtronix 100 features Auto Deceleration through the controlled application of clutch packs, and also reduces tire spin by precisely regulating engine speed during controlled power reversals. The Techtronix 200 includes the Techtronix 100 features, and also enables Auto Speed Hydraulics with Automatic Inching Control. This feature automatically increases engine RPM's as hydraulic functions are actuated, while maintaining control over vehicle speed. The throttle response management feature provides travel speed as a direct result of pedal position, improving truck control. The Techtronix 200X includes the Techtronix 200 features and adds two-speed functionality for extended drawbar pull applications.

Cooling System employs a 17" blade pusher-type fan. A permanently lubricated water pump and a high capacity, cross-flow radiator ensure rapid heat dissipation. The sealed cooling system operates at a pressure of 15 psi and includes a coolant recovery tank for visual inspection of coolant level. Transmission oil cooler is integrated into the radiator and is located in the side tank. The optional combi-cooler radiator features an externally mounted transmission oil cooler for increased heat transfer capability. All radiators are soft-mounted for excellent durability.

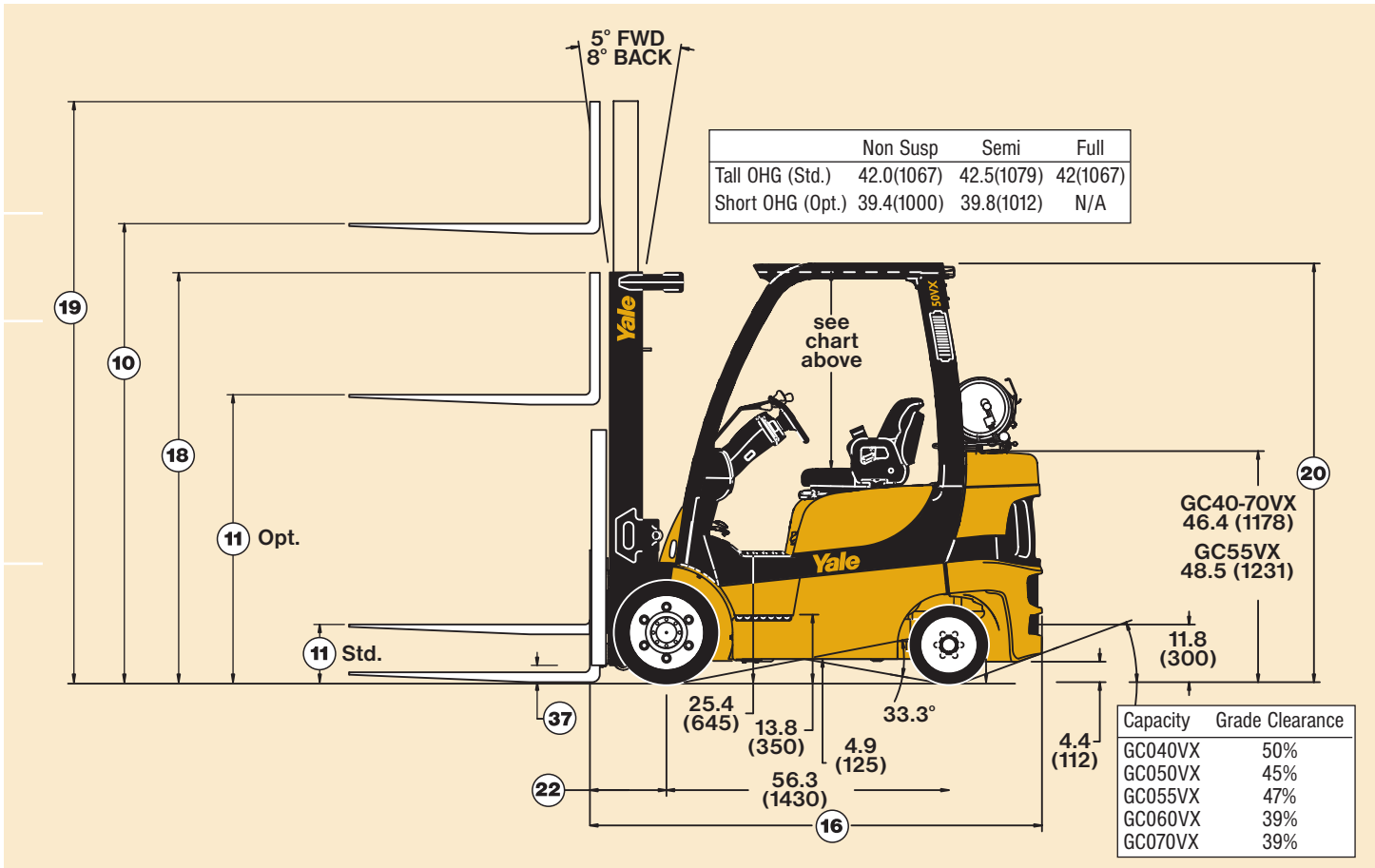
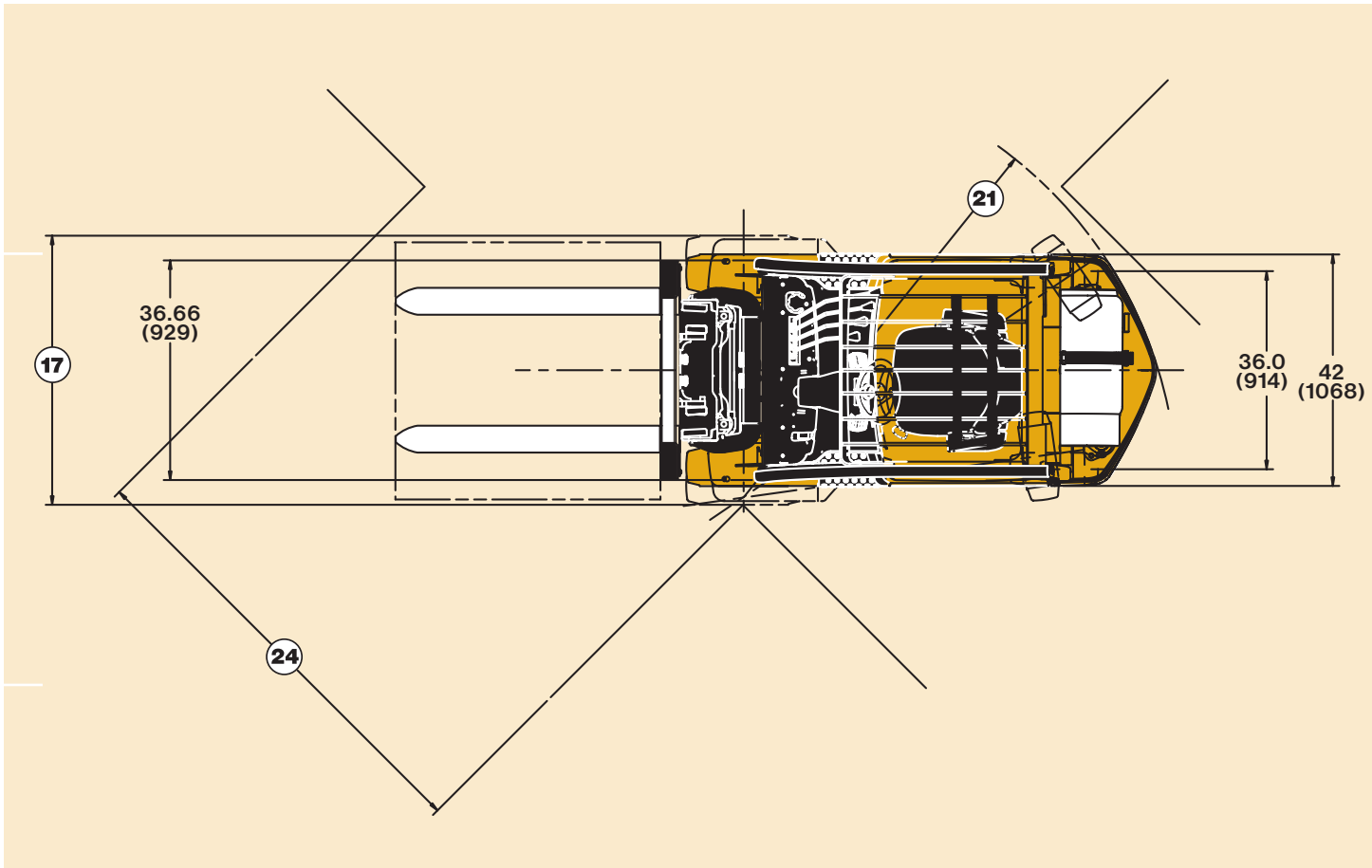
Drive Axle

The drive axles are designed to withstand heavy-duty loads and absorb shock loads. The wheel hubs rotate on large tapered roller bearings. The drive shaft transmits torsion to the drive axle from the engine and transmission. Transmission torque occurs through an industrial hypoid ring gear and pinion differential assembly.

continued on back

Truck shown with optional equipment





GENERAL	1	Manufacturer	Manufacturer Name	
		Powertrain	Engine / Transmission	
	2	Model	Manufacturer Designation	
	3	Capacity	Rated capacity	lb. (kg)
	4	Load Center	Distance	in. (mm)
	5	Power Type	Gasoline, LPG, CNG, Diesel	
	6	Operator Type	Pedestrian, Stand-on, Seated Rider	
	7	Step Height		in. (mm)
	8	Tire Type	Cushion, Solid, Pneumatic, etc.	
DIMENSIONS	9	Wheels	Number - Front / Rear	
	10	Lift Height with Two Stage Mast	Lift Height (Top of Fork)	in. (mm)
	11		Standard Free Lift w/ LBR (Top of Fork)	in. (mm)
	12		Opt. Free Lift w/ LBR (Top of Fork)	in. (mm)
	13	Forks	Thickness/Width/Length	in. (mm)
	14	Fork Spread	Outside Dimensions	in. (mm)
	15	Tilt of Mast	Forward/Backward	degrees
	16	Dimensions	Length To Face of Forks	in. (mm)
	17		Overall Width Standard/Wide	in. (mm)
	18		Height with Collapsed Mast	in. (mm)
	19		Height with Extended Mast with LBR	in. (mm)
	20		Height of Std. Overhead Guard/Opt. Overhead Guard	in. (mm)
	21	Turning Radius	Outside	in. (mm)
	22	Load Length	Front Overhang	in. (mm)
	23	Aisle Width	Right Angle Stack (Add Length of Load)	in. (mm)
	24	Equal Aisle	42" W x 48" L Load	in. (mm)
PERFORMANCE	25	Stability	Comply with ANSI?	
	26	Speeds	Travel Speed - With load / No Load	mph (km/h)
			With Techtronix 200X	mph (km/h)
			Lift Speed - W/ 2 Stg LFL load/ No Load	ft./min (mm/s)
			Lift Speed - W/ Opt. 2 Stg. FFL load/ No Load	ft./min (mm/s)
			Lift Speed - W/ Opt. 3 Stg. FFL load/ No Load	ft./min (mm/s)
			Lowering Speed - With load/ No Load	ft./min (mm/s)
			Lowering Speed - W/ Opt. 2 Stg. FFL load/ No Load	ft./min (mm/s)
	28	Drawbar Pull	With Load/No Load @ 1mph	lbf.
			With Techtronix 200X	lbf.
			With Load/No Load @ 3 mph	lbf.
With Techtronix 200X			lbf.	
29	Gradeability	With Load/No Load @ 1 mph	%	
		With Techtronix 200X	%	
		With Load/No Load @ 3 mph	%	
		With Techtronix 200X	%	
30	Steering	Manual Power		
WT.	31	Unloaded Weight	Standard Truck	lb. (kg.)
		w/ Rated Load	Standard Truck	lb. (kg.)
	32	Axle Loads	No Load - Front/Rear	lb. (kg.)
WHEELS & TIRES		w/ Rated Load	With Load - Front/Rear	lb. (kg.)
	33	Tire Size	Number - Front/Rear	
	34		Front	
	35	Wheelbase	Distance	in. (mm)
	36	Tread	Center of Tires - Front	in. (mm)
	37	Ground Clearance	No Load at Lowest Point	in. (mm)
			No Load at Center of Wheelbase	in. (mm)
	39	Brakes	Service - Method of Control	
			Parking - Method of Operation	
	TRANS. & POWER UNIT	41	Battery	Type
42		Volts/Cold Cranking Amps		v/ cca
43		ICE Engine	Manufacturer/Model	
44			Permanent Output @ 2600 rpm	hp (kw)
45			Torque @ 2600 rpm	lbf ft (kg/m)
46			Number of Cylinders/Displacement/Liters	Cyl./Ci/Liters
47		Transmission	With ICE Drive	Type
			Speeds Fwd / Rev	
			Speeds Fwd / Rev w/ Techtronix 200X	
48		Noise Level	LEQ	db(A)
49		Hydraulic Tank	Capacity	gal. (litre)
50	Fuel Tank	Capacity (for gas trucks only)	gal. (litre)	
51	Relief Pressure	Auxiliary pressure for attachments	PSI (Mpa)	

	Yale		Yale		Yale		Yale	
	GM 2.4L Techtronix 200 & Techtronix 200X		Mazda 2.2L Techtronix 100		Mazda 2.0L Standard Electronic		GM 2.4L Techtronix 100/200 &	
	Productivity		Value		Base		Productivity	
	4000 (1815)		4000 (1815)		4000 (1815)		5000 (2250)	
	24 (610)		24 (610)		24 (610)		24 (610)	
	LPG	Gas	LPG	LPG	LPG	LPG	LPG	LPG
	Seated Rider		Seated Rider		Seated Rider		Seated Rider	
	13.8 (350)		13.8 (350)		13.8 (350)		13.8 (350)	
	Cushion / Cushion		Cushion / Cushion		Cushion / Cushion		Cushion/Cushion	
	2 / 2		2 / 2		2 / 2		2X/2	
	129 (3292)		129 (3292)		129 (3292)		129 (3292)	
	5 (140)		5 (140)		5 (140)		5 (140)	
	35.8 (910)		35.8 (910)		35.8 (910)		35.8 (910)	
	38.5 (980)		38.5 (980)		38.5 (980)		38.5 (980)	
	1.6x3.9x42 (40x100x1067)		1.6x3.9x42 (40x100x1067)		1.6x3.9x42 (40x100x1067)		1.6x3.9x42 (40x100x1067)	
	35.4 (899)		35.4 (899)		35.4 (899)		35.4 (899)	
	5 x 8		5 x 8		5 x 8		5 x 8	
	87.6 (2226)		87.6 (2226)		87.6 (2226)		89.8 (2266)	
	42.1 (1070) / 48.9 (1242)		42.1 (1070) / 48.9 (1242)		42.1 (1070) / 48.9 (1242)		42.1 (1070) / 48.9 (1242)	
	85 (2135)		85 (2135)		85 (2135)		85 (2135)	
	178 (4515)		178 (4515)		178 (4515)		178 (4515)	
	84 (2128) / 82 (2061)		84 (2128) / 82 (2061)		84 (2128) / 82 (2061)		84 (2128) / 82 (2061)	
	76.7 (1950)		76.7 (1950)		76.7 (1950)		78.7 (2000)	
	14.9 (378)		14.9 (378)		14.9 (378)		14.9 (378)	
	91.6 (2328)		91.6 (2328)		91.6 (2328)		93.6 (2328)	
	74.0 (1880)		74.0 (1880)		74.0 (1880)		74.9 (1900)	
	Yes		Yes		Yes		Yes	
	10.7 / 10.5 (17.2 / 16.9)		10.6 / 10.3 (17 / 16.6)		10.6 / 10.3 (17 / 16.6)		10.7 / 10.5 (17.2 / 16.9)	
	11.3 / 11.2 (18.3 / 18.0)		N/A		N/A		11.3 / 11.2 (18.3 / 18.0)	
	119 / 119 (.60 / .60)		110 / 110 (0.56 / 0.56)		106 / 110 (0.54 / 0.56)		119 / 119 (.60 / .60)	
	106 / 106 (.54 / .54)		99 / 99 (0.50 / 0.50)		95 / 99 (0.48 / 0.50)		106 / 106 (.54 / .54)	
	113 / 113 (.57 / .57)		105 / 105 (0.53 / 0.53)		101 / 105 (0.51 / 0.53)		113 / 113 (.57 / .57)	
	99 / 86 (.50 / .44)		100 / 88 (0.51 / 0.45)		100 / 88 (0.51 / 0.45)		99 / 86 (.50 / .44)	
	86 / 60 (.44 / .30)		85 / 62 (0.43 / 0.31)		85 / 62 (0.43 / 0.31)		87 / 60 (.44 / .30)	
	97 / 81 (.49 / .41)		94 / 75 (0.48 / 0.38)		94 / 75 (0.48 / 0.38)		93 / 81 (.47 / .39)	
	4627 / 2155	4130 / 2155	3989 / 2155	3300 / 2155	4590 / 1983	4590 / 1983	4590 / 1983	4590 / 1983
	4900 / 2155		N/A		N/A		4900 / 2155	
	3100 / 2155	2800 / 2155	2700 / 2155	2000 / 2000	3200 / 1983	3200 / 1983	3200 / 1983	3200 / 1983
	3500 / 2155	3200 / 2155	N/A	N/A	3600 / 1983	3600 / 1983	3600 / 1983	3600 / 1983
	41.5 / 29.3	36.4 / 29.3	35.0 / 29.3	28.4 / 28.4	34.2 / 23.5	34.2 / 23.5	34.2 / 23.5	34.2 / 23.5
	44.3 / 29.3		N/A		N/A		36.8 / 23.5	
	28 / 28	24 / 24	23.0 / 23.0	17.5 / 17.5	23.0 / 23.0	23.0 / 23.0	23.0 / 23.0	23.0 / 23.0
	32.0 / 29.3	26.9 / 26.9	N/A	N/A	27.0 / 23.5	27.0 / 23.5	27.0 / 23.5	27.0 / 23.5
	Power		Power		Power		Power	
	7837 (3555)		7837 (3555)		7837 (3555)		8621 (3555)	
	11837 (5369)		11837 (5369)		11837 (5369)		13621 (5369)	
	3567 / 4270 (1618 / 1937)		3567 / 4270 (1618 / 1937)		3567 / 4270 (1618 / 1937)		3399 / 5222 (1618 / 1937)	
	10321/1516 (4682 / 688)		10321 / 1516 (4682 / 688)		10321 / 1516 (4682 / 688)		11841 / 1780 (4682 / 688)	
	2 / 2		2 / 2		2 / 2		2 / 2	
	21x7x15		21x7x15		21x7x15		21x7x15	
	16x5x10.5		16x5x10.5		16x5x10.5		16x5x10.5	
	56.3 (1430)		56.3 (1430)		56.3 (1430)		56.3 (1430)	
	35.1 (892)		35.1 (892)		35.1 (892)		35.1 (892)	
	3.6 (91)		3.6 (91)		3.6 (91)		3.6 (91)	
	4.9 (125)		4.9 (125)		4.9 (125)		4.9 (125)	
	Foot / Hydraulic		Foot / Hydraulic		Foot / Hydraulic		Foot / Hydraulic	
	Hand / Mechanical		Hand / Mechanical		Hand / Mechanical		Hand / Mechanical	
	Maintenance Free		Maintenance Free		Maintenance Free		Maintenance Free	
	12 / 475		12 / 475		12 / 475		12 / 475	
	GM		Mazda		Mazda		GM	
	61.0 (45.5)	51.0 (38.0)	46.5 (34.7)	40.6 (30.3)	61.0 (45.5)	61.0 (45.5)	61.0 (45.5)	61.0 (45.5)
	123 (17.0)	103 (14.2)	94 (13.0)	82 (11.3)	123 (17.0)	123 (17.0)	123 (17.0)	123 (17.0)
	4 / 146.5 / 2.4		4 / 134.3 / 2.2		4 / 122 / 2.0		4 / 146.5 / 2.4	
	Electronically Controlled Powershift		Electronically Controlled Powershift		Electronically Controlled Powershift		Electronically Controlled Powershift	
	1 / 1		1 / 1		1 / 1		1 / 1	
	2 / 1		N/A		N/A		2 / 1	
	78		78		78		78	
	8.0 (30.1)		8.0 (30.1)		8.0 (30.1)		8.0 (30.1)	
	N/A		10.6 (40)		N/A		N/A	
	2250 (15.5)		2250 (15.5)		2250 (15.5)		2250 (15.5)	

	Yale		Yale		Yale		Yale	
	GM 2.4L Techtronix 100/200 &		GM 2.4L Techtronix 100/200 &		GM 2.4L Techtronix 100/200 &		GM 2.4L Techtronix 100/200 &	
	Productivity		Value		Base		Productivity	
	5000 (2250)		5000 (2250)		5000 (2250)		5000 (2250)	
	24 (610)		24 (610)		24 (610)		24 (610)	
	LPG	LPG	LPG	LPG	LPG	LPG	LPG	LPG
	Seated Rider		Seated Rider		Seated Rider		Seated Rider	
	13.8 (350)		13.8 (350)		13.8 (350)		13.8 (350)	
	Cushion/Cushion		Cushion/Cushion		Cushion/Cushion		Cushion/Cushion	
	2X/2		2X/2		2X/2		2X/2	
	129 (3292)		129 (3292)		129 (3292)		129 (3292)	
	5 (140)		5 (140)		5 (140)		5 (140)	
	35.8 (910)		35.8 (910)		35.8 (910)		35.8 (910)	
	38.5 (980)		38.5 (980)		38.5 (980)		38.5 (980)	
	1.6x3.9x42 (40x100x1067)		1.6x3.9x42 (40x100x1067)		1.6x3.9x42 (40x100x1067)		1.6x3.9x42 (40x100x1067)	
	35.4 (899)		35.4 (899)		35.4 (899)		35.4 (899)	
	5 x 8		5 x 8		5 x 8		5 x 8	
	89.8 (2266)		89.8 (2266)		89.8 (2266)		89.8 (2266)	
	42.1 (1070) / 48.9 (1242)		42.1 (1070) / 48.9 (1242)		42.1 (1070) / 48.9 (1242)		42.1 (1070) / 48.9 (1242)	
	85 (2135)		85 (2135)		85 (2135)		85 (2135)	
	178 (4515)		178 (4515)		178 (4515)		178 (4515)	
	84 (2128) / 82 (2061)		84 (2128) / 82 (2061)		84 (2128) / 82 (2061)		84 (2128) / 82 (2061)	
	78.7 (2000)		78.7 (2000)		78.7 (2000)		78.7 (2000)	
	14.9 (378)		14.9 (378)		14.9 (378)		14.9 (378)	
	93.6 (2328)		93.6 (2328)		93.6 (2328)		93.6 (2328)	
	74.9 (1900)		74.9 (1900)		74.9 (1900)		74.9 (1900)	
	Yes		Yes		Yes		Yes	
	10.7 / 10.5 (17.2 / 16.9)		10.6 / 10.3 (17 / 16.6)		10.6 / 10.3 (17 / 16.6)		10.7 / 10.5 (17.2 / 16.9)	
	11.3 / 11.2 (18.3 / 18.0)		N/A		N/A		11.3 / 11.2 (18.3 / 18.0)	
	119 / 119 (.60 / .60)		110 / 110 (0.56 / 0.56)		106 / 110 (0.54 / 0.56)		119 / 119 (.60 / .60)	
	106 / 106 (.54 / .54)		99 / 99 (0.50 / 0.50)		95 / 99 (0.48 / 0.50)		106 / 106 (.54 / .54)	
	113 / 113 (.57 / .57)		105 / 105 (0.53 / 0.53)		101 / 105 (0.51 / 0.53)		113 / 113 (.57 / .57)	
	99 / 86 (.50 / .44)		100 / 88 (0.51 / 0.45)		100 / 88 (0.51 / 0.45)		99 / 86 (.50 / .44)	
	86 / 60 (.44 / .30)		85 / 62 (0.43 / 0.31)		85 / 62 (0.43 / 0.31)		87 / 60 (.44 / .30)	
	97 / 81 (.49 / .41)		94 / 75 (0.48 / 0.38)		94 / 75 (0.48 / 0.38)		93 / 81 (.47 / .39)	
	4590 / 1983	4590 / 1983	4590 / 1983	4590 / 1983	4590 / 1983	4590 / 1983	4590 / 1983	4590 / 1983
	4900 / 2155		N/A		N/A		4900 / 2155	
	3200 / 1983	3200 / 1983	2700 / 2155	200				

	Yale	Yale
L	Mazda 2.2L	Mazda 2.0L
Technonix 200X	Technonix 100	Standard Electronic
ility	Value	Base
688)	5000 (2268)	5000 (2268)
0)	24 (610)	24 (610)
Gas	LPG	LPG
Rider	Seated Rider	Seated Rider
50)	13.8 (350)	13.8 (350)
ushion	Cushion/Cushion	Cushion/Cushion
	2X/2	2X/2
92)	129 (3292)	129 (3292)
)	5 (140)	5 (140)
10)	35.8 (910)	35.8 (910)
30)	38.5 (980)	38.5 (980)
100x1067)	1.6x3.9x42 (40x100x1067)	1.6x3.9x42 (40x100x1067)
99)	35.4 (899)	35.4 (899)
	5 X 8	5 X 8
80)	89.8 (2280)	89.8 (2280)
8.9 (1242)	42.1 (1070) / 48.9 (1242)	42.1 (1070) / 48.9 (1242)
5)	85 (2135)	85 (2135)
15)	178 (4515)	178 (4515)
2 (2061)	84 (2128) / 82 (2061)	84 (2128) / 82 (2061)
00)	78.7 (2000)	78.7 (2000)
78)	14.9 (378)	14.9 (378)
78)	93.6 (2378)	93.6 (2378)
02)	74.9 (1902)	74.9 (1902)
	Yes	Yes
2 / 16.9)	10.6 / 10.3 (17 / 16.6)	10.6 / 10.3 (17 / 16.6)
3 / 18.0)	N/A	N/A
0 / .60)	110 / 110 (.56 / .56)	92 / 110 (.47 / .56)
4 / .54)	99 / 99 (.50 / .50)	82 / 99 (.42 / .50)
7 / .57)	105 / 105 (.53 / .53)	87 / 105 (.44 / .53)
/ .44)	102 / 88 (.52 / .45)	102 / 88 (.52 / .45)
/ .30)	88 / 62 (.45 / .31)	88 / 62 (.45 / .31)
/ .41)	95 / 75 (.48 / .38)	95 / 75 (.48 / .38)
4093 / 1983	3952 / 1983	3263 / 1983
983	N/A	N/A
2600 / 1983	2500 / 1983	2092 / 1983
3400 / 1983	N/A	N/A
30.1 / 23.5	29.0 / 23.5	23.6 / 23.5
3.5	N/A	N/A
20.0 / 20.0	18.0 / 18.0	15.0 / 15.0
23.5 / 23.5	N/A	N/A
r	Power	Power
10)	8621 (3910)	8621 (3910)
178)	13621 (6178)	13621 (6178)
42 / 2369)	3399 / 5222 (1542 / 2369)	3399 / 5222 (1542 / 2369)
371 / 807)	11841 / 1780 (5371 / 807)	11841 / 1780 (5371 / 807)
	2 / 2	2 / 2
5	21x7x15	21x7x15
0.5	16x5x10.5	16x5x10.5
30)	56.3 (1430)	56.3 (1430)
92)	35.1 (892)	35.1 (892)
1)	3.6 (91)	3.6 (91)
5)	4.9 (125)	4.9 (125)
raulic	Foot / Hydraulic	Foot / Hydraulic
hanical	Hand / Mechanical	Hand / Mechanical
e Free	Maintenance Free	Maintenance Free
75	12 / 475	12 / 475
	Mazda	Mazda
51.0 (38.0)	46.5 (34.7)	40.6 (30.3)
103 (14.2)	94 (13.0)	82 (11.3)
/ 2.4	4 / 134.3 / 2.2	4 / 122 / 2.0
lled Powershift	Electronically Controlled Powershift	Electronically Controlled Powershift
	1 / 1	1 / 1
	N/A	N/A
	78	78
1)	8.0 (30.1)	8.0 (30.1)
10.6 (40)	N/A	N/A
5.5)	2250 (15.5)	2250 (15.5)

Yale	Yale	Yale
GM 2.4L	Mazda 2.2L	Mazda 2.0L
Technonix 100/200 & Technonix 200X	Technonix 100	Standard Electronic
Productivity	Value	Base
5500 (2495)	5500 (2495)	5500 (2495)
24 (610)	24 (610)	24 (610)
LPG	Gas	LPG
	LPG	LPG
Seated Rider	Seated Rider	Seated Rider
13.8 (350)	13.8 (350)	13.8 (350)
Cushion / Cushion	Cushion / Cushion	Cushion / Cushion
2 / 2	2 / 2	2 / 2
129 (3292)	129 (3292)	129 (3292)
5 (140)	5 (140)	5 (140)
35.8 (910)	35.8 (910)	35.8 (910)
38.5 (980)	38.5 (980)	38.5 (980)
1.6x3.9x42 (40x100x1067)	1.6x3.9x42 (40x100x1067)	1.6x3.9x42 (40x100x1067)
35.4 (899)	35.4 (899)	35.4 (899)
5 X 8	5 X 8	5 X 8
87.1 (2213)	87.1 (2213)	87.1 (2213)
43.6 (1108) / 48.9 (1242)	43.6 (1108) / 48.9 (1242)	43.6 (1108) / 48.9 (1242)
85 (2135)	85 (2135)	85 (2135)
178 (4515)	178 (4515)	178 (4515)
84 (2128) / 82 (2061)	84 (2128) / 82 (2061)	84 (2128) / 82 (2061)
76.2 (1937)	76.2 (1937)	76.2 (1937)
14.9 (378)	14.9 (378)	14.9 (378)
91.1 (2315)	91.1 (2315)	91.1 (2315)
74.3 (1888)	74.3 (1888)	74.3 (1888)
Yes	Yes	Yes
10.7 / 10.5 (17.2 / 16.9)	10.6 / 10.3 (17 / 16.6)	10.6 / 10.3 (17 / 16.6)
11.3 / 11.2 (18.3 / 18.0)	N/A	N/A
119 / 119 (.60 / .60)	110 / 110 (.56 / .56)	104 / 110 (.53 / .56)
106 / 106 (.54 / .54)	99 / 99 (.50 / .50)	93 / 110 (.47 / .56)
113 / 113 (.57 / .57)	105 / 105 (.53 / .53)	99 / 110 (.50 / .56)
102 / 88 (.52 / .45)	102 / 88 (.52 / .45)	102 / 88 (.52 / .45)
95 / 66 (.48 / .36)	95 / 66 (.48 / .36)	95 / 66 (.48 / .36)
105 / 85 (.53 / .43)	106 / 88 (.54 / .45)	106 / 88 (.54 / .45)
4576 / 1852	4079 / 1852	3938 / 1852
4900 / 1852	N/A	N/A
3300 / 1852	2800 / 1852	2600 / 1852
3700 / 1852	3225 / 1852	N/A
32.0 / 19.9	28.2 / 19.9	27.2 / 19.9
34.6 / 19.9	N/A	N/A
21.5 / 19.9	18.0 / 18.0	16.9 / 16.9
25.0 / 19.9	23.0 / 19.9	N/A
Power	Power	Power
9223 (4184)	9223 (4184)	9223 (4184)
14722 (6678)	14722 (6678)	14722 (6678)
3442 / 5781 (1561 / 2622)	3442 / 5781 (1561 / 2622)	3442 / 5781 (1561 / 2622)
12728 / 1994 (5773 / 904)	12728 / 1994 (5773 / 904)	12728 / 1994 (5773 / 904)
2 / 2	2 / 2	2 / 2
21x8x15	21x8x15	21x8x15
16x6x10.5	16x6x10.5	16x6x10.5
56.3 (1430)	56.3 (1430)	56.3 (1430)
35.6 (905)	35.6 (905)	35.6 (905)
3.6 (91)	3.6 (91)	3.6 (91)
4.9 (125)	4.9 (125)	4.9 (125)
Foot / Hydraulic	Foot / Hydraulic	Foot / Hydraulic
Hand / Mechanical	Hand / Mechanical	Hand / Mechanical
Maintenance Free	Maintenance Free	Maintenance Free
12 / 475	12 / 475	12 / 475
GM	Mazda	Mazda
61.0 (45.5)	51.0 (38.0)	46.5 (34.7)
123 (17.0)	103 (14.2)	94 (13.0)
4 / 146.5 / 2.4	4 / 134.3 / 2.2	4 / 122 / 2.0
Electronically Controlled Powershift	Electronically Controlled Powershift	Electronically Controlled Powershift
1 / 1	1 / 1	1 / 1
2 / 1	N/A	N/A
78	78	78
8.0 (30.1)	8.0 (30.1)	8.0 (30.1)
N/A	10.6 (40)	N/A
2250 (15.5)	2250 (15.5)	2250 (15.5)

Yale	Yale
GM 2.4L	GM 2.4L
Technonix 100/200 & Technonix 200X	Technonix 100/200 & Technonix 200X
Productivity	Productivity
6000 (2722)	6000 (2722)
24 (610)	24 (610)
LPG	Gas
	LPG
Seated Rider	Seated Rider
13.8 (350)	13.8 (350)
Cushion / Cushion	Cushion / Cushion
2 / 2	2 / 2
126 (3209)	126 (3209)
5 (140)	5 (140)
39.5 (1005)	39.5 (1005)
38.5 (980)	38.5 (980)
2 x 4.9 X 42 (50X125X1067)	2 x 4.9 X 42 (50X125X1067)
35.5 (902)	35.5 (902)
5 X 8	5 X 8
92.8 (2356)	92.8 (2356)
43.6 (1108) / 48.9 (1242)	43.6 (1108) / 48.9 (1242)
87 (2185)	87 (2185)
175 (4435)	175 (4435)
84 (2128) / 82 (2061)	84 (2128) / 82 (2061)
81.3 (2066)	81.3 (2066)
15.2 (385)	15.2 (385)
96.5 (2451)	96.5 (2451)
76.7 (1948)	76.7 (1948)
Yes	Yes
10.7 / 10.5 (17.2 / 16.9)	10.7 / 10.5 (17.2 / 16.9)
11.3 / 11.2 (18.3 / 18.0)	11.3 / 11.2 (18.3 / 18.0)
104 / 104 (.53 / .53)	104 / 104 (.53 / .53)
102 / 102 (.52 / .52)	102 / 102 (.52 / .52)
110 / 110 (.56 / .56)	110 / 110 (.56 / .56)
102 / 88 (.52 / .45)	102 / 88 (.52 / .45)
98 / 66 (.50 / .34)	98 / 66 (.50 / .34)
107 / 85 (.54 / .43)	107 / 85 (.54 / .43)
4553 / 1982	4056 / 1852
4900 / 1892	4900 / 1892
3100 / 1892	2650 / 1892
3350 / 1892	3350 / 1892
29.1 / 19.9	25.7 / 19.9
31.5 / 19.9	31.5 / 19.9
20.0 / 19.9	17.5 / 17.5
20.2 / 19.9	20.2 / 19.9
Power	Power
9838 (4462)	9838 (4462)
15838 (7184)	15838 (7184)
3516 / 6322 (1595 / 2868)	3516 / 6322 (1595 / 2868)
13698 / 2140 (6213 / 971)	13698 / 2140 (6213 / 971)
2 / 2	2 / 2
21x8x15	21x8x15
16x6x10.5	16x6x10.5
56.3 (1430)	56.3 (1430)
35.6 (905)	35.6 (905)
3.6 (91)	3.6 (91)
4.9 (125)	4.9 (125)
Foot / Hydraulic	Foot / Hydraulic
Hand / Mechanical	Hand / Mechanical
Maintenance Free	Maintenance Free
12 / 475	12 / 475
GM	GM
61.0 (45.5)	51.0 (38.0)
123 (17.0)	103 (14.2)
4 / 146.5 / 2.4	4 / 146.5 / 2.4
Electronically Controlled Powershift	Electronically Controlled Powershift
1 / 1	1 / 1
2 / 1	2 / 1
78	78
8.0 (30.1)	8.0 (30.1)
N/A	10.6 (40)
2250 (15.5)	2250 (15.5)

	Yale	Yale
	Mazda 2.2L Techtronix 100	Mazda 2.0L Standard Electronic
	Value	Base
	6000 (2722)	6000 (2722)
	24 (610)	24 (610)
	LPG	LPG
	Seated Rider	Seated Rider
	13.8 (350)	13.8 (350)
	Cushion / Cushion	Cushion / Cushion
	2 / 2	2 / 2
	126 (3209)	126 (3209)
	5 (140)	5 (140)
	39.5 (1005)	39.5 (1005)
	38.5 (980)	38.5 (980)
	2 x 4.9 X 42 (50X125X1067)	2 x 4.9 X 42 (50X125X1067)
	35.5 (902)	35.5 (902)
	5 X 8	5 X 8
	92.8 (2356)	92.8 (2356)
	43.6 (1108) / 48.9 (1242)	43.6 (1108) / 48.9 (1242)
	87 (2185)	87 (2185)
	175 (4435)	175 (4435)
	84 (2128) / 82 (2061)	84 (2128) / 82 (2061)
	81.3 (2066)	81.3 (2066)
	15.2 (385)	15.2 (385)
	96.5 (2451)	96.5 (2451)
	76.7 (1948)	76.7 (1948)
	Yes	Yes
	10.6 / 10.3 (17 / 16.6)	10.6 / 10.3 (17 / 16.6)
	N/A	N/A
	97 / 97 (.49 / .49)	84 / 97 (.43 / .49)
	95 / 95 (.48 / .48)	82 / 95 (.42 / .48)
	102 / 102 (.52 / .52)	89 / 102 (.45 / .52)
	102 / 88 (.52 / .45)	102 / 88 (.52 / .45)
	98 / 66 (.50 / .34)	98 / 66 (.50 / .34)
	107 / 88 (.54 / .45)	107 / 88 (.54 / .45)
92	3915 / 1892	3225 / 1892
	N/A	N/A
92	2550 / 1892	2000 / 1892
	N/A	N/A
9	24.7 / 19.9	20.2 / 19.9
	N/A	N/A
5	16.0 / 16.0	12.7 / 12.7
	N/A	N/A
	Power	Power
	9838 (4462)	9838 (4462)
	15838 (7184)	15838 (7184)
	3516 / 6322 (1595 / 2868)	3516 / 6322 (1595 / 2868)
	13698 / 2140 (6213 / 971)	13698 / 2140 (6213 / 971)
	2 / 2	2 / 2
	21x8x15	21x8x15
	16x6x10.5	16x6x10.5
	56.3 (1430)	56.3 (1430)
	35.6 (905)	35.6 (905)
	3.6 (91)	3.6 (91)
	4.9 (125)	4.9 (125)
	Foot / Hydraulic	Foot / Hydraulic
	Hand / Mechanical	Hand / Mechanical
	Maintenance Free	Maintenance Free
	12 / 475	12 / 475
	Mazda	Mazda
	46.5 (34.7)	40.6 (30.3)
	94 (13.0)	82 (11.3)
	4 / 134.3 / 2.2	4 / 122 / 2.0
Shift	Electronically Controlled Powershift	Electronically Controlled Powershift
	1 / 1	1 / 1
	N/A	N/A
	78	78
	8.0 (30.1)	8.0 (30.1)
	10.6 (40)	10.6 (40)
	2250 (15.5)	2250 (15.5)

	Yale	Yale	Yale
	GM 2.4L Techtronix 200 & Techtronix 200X	GM 2.4L Techtronix 100	Mazda 2.2L Standard Electronic
	Productivity	Value	Base
	7000 (3175)	7000 (3175)	7000 (3175)
	24 (610)	24 (610)	24 (610)
	LPG	LP	LPG
	Gas	Gas	
	Seated Rider	Seated Rider	Seated Rider
	13.8 (350)	13.8 (350)	13.8 (350)
	Cushion / Cushion	Cushion / Cushion	Cushion / Cushion
	2 / 2	2 / 2	2 / 2
	126 (3209)	126 (3209)	126 (3209)
	5 (140)	5 (140)	5 (140)
	39.5 (1005)	39.5 (1005)	39.5 (1005)
	38.5 (980)	38.5 (980)	38.5 (980)
	2 x 4.9 X 42 (50X125X1067)	2 x 4.9 X 42 (50X125X1067)	2 x 4.9 X 42 (50X125X1067)
	35.5 (902)	35.5 (902)	35.5 (902)
	5 X 8	5 X 8	5 X 8
	94.7 (2406)	94.7 (2406)	94.7 (2406)
	46 (1158) / 48.9 (1242)	46 (1158) / 48.9 (1242)	46 (1158) / 48.9 (1242)
	87 (2185)	87 (2185)	87 (2185)
	175 (4435)	175 (4435)	175 (4435)
	84 (2128) / 82 (2061)	84 (2128) / 82 (2061)	84 (2128) / 82 (2061)
	83.4 (2119)	83.4 (2119)	83.4 (2119)
	15.2 (385)	15.2 (385)	15.2 (385)
	98.6 (2504)	98.6 (2504)	98.6 (2504)
	78.4 (1991)	78.4 (1991)	78.4 (1991)
	Yes	Yes	Yes
	10.7 / 10.5 (17.2 / 16.9)	10.7 / 10.5 (17.2 / 16.9)	10.6 / 10.3 (17 / 16.6)
	11.3/11.2 (18.3 / 18.0)	N/A	N/A
	104 / 104 (.53 / .53)	94 / 104 (.48 / .53)	88 / 97 (.45 / .49)
	102 / 102 (.52 / .52)	92 / 102 (.47 / .52)	86 / 95 (.44 / .48)
	110 / 110 (.56 / .56)	100 / 110 (.51 / .56)	93 / 102 (.47 / .52)
	102 / 88 (.52 / .45)	102 / 88 (.52 / .45)	102 / 88 (.52 / .45)
	98 / 66 (.50 / .34)	98 / 66 (.50 / .34)	98 / 66 (.50 / .34)
	107 / 85 (.54 / .43)	107 / 88 (.54 / .45)	107 / 88 (.54 / .45)
	4520 / 1702	4023 / 1702	3822 / 1702
	4900 / 1702	N/A	N/A
	3000 / 1702	2600 / 1702	2600 / 1702
	3700 / 1702	N/A	N/A
	25.7 / 16.5	22.7 / 16.5	21.8 / 16.5
	28.0 / 16.5	N/A	N/A
	17.0 / 16.5	15.0 / 15.0	14.0 / 14.0
	21.0 / 16.5	17.5 / 16.5	N/A
	Power	Power	Power
	10604 (4810)	10604 (4810)	10604 (4810)
	17604 (7985)	17604 (7985)	17604 (7985)
	3310 / 7294 (1501 / 3309)	3310 / 7294 (1501 / 3309)	3310 / 7294 (1501 / 3309)
	15189 / 2415 (6890 / 1095)	15189 / 2415 (6890 / 1095)	15189 / 2415 (6890 / 1095)
	2 / 2	2 / 2	2 / 2
	21x9x15	21x9x15	21x9x15
	16x7x10.5	16x7x10.5	16x7x10.5
	56.3 (1430)	56.3 (1430)	56.3 (1430)
	36.66 (929)	36.66 (929)	36.66 (929)
	91	91	91
	125	125	125
	Foot / Hydraulic	Foot / Hydraulic	Foot / Hydraulic
	Hand / Mechanical	Hand / Mechanical	Hand / Mechanical
	Maintenance Free	Maintenance Free	Maintenance Free
	12 / 475	12 / 475	12 / 475
	GM	GM	Mazda
	61.0 (45.5)	51.0 (38.0)	46.5 (34.7)
	123 (17.0)	103 (14.2)	94 (13.0)
	4 / 146.5 / 2.4	4 / 146.5 / 2.4	4 / 122 / 2.0
	Electronically Controlled Powershift	Electronically Controlled Powershift	Electronically Controlled Powershift
	1 / 1	1 / 1	1 / 1
	2 / 1	N/A	N/A
	78	78	78
	8.0 (30.1)	8.0 (30.1)	8.0 (30.1)
	N/A	10.6 (40)	13.7 (52)
	2250 (15.5)	2250 (15.5)	2250 (15.5)

The drive axle is a "self contained" assembly that is isolated from the transmission by a heavy-duty rubber isolator. The axle shafts utilize a "rolled fillet" root spline design for increased resistance to torsion stress. A magnetic sump plug is used to collect any metal particles that are circulating in the axle oil, preventing component wear.

Brakes are duo-servo hydraulic, self-energizing, and automatic adjusting drum brake assemblies. Asbestos-free brake linings are bonded to steel shoes and act against a cast iron drum. Single circuit master cylinder has sealed fluid reservoir and features a fluid level sensor which activates an indicator light located on the instrument panel. Independent, hand adjustable parking brake with push-button locking has audible alarm.

Hydraulic Power Steering (hydrostatic steering) provides responsive control and eliminates mechanical linkages for reduced surface shock and simplified maintenance. The steering wheel is 12 inches in diameter with a textured surface grip and spinner knob, and requires only four turns lock-to-lock. The center mounted steer cylinder is located within the confines of the steer axle for protection.

Steer Axle is constructed of cast steel and is rubber shock mounted to the frame for reduced wear and vibration. The CSE (Continuous Stability Enhancement) system enhances lateral truck stability through reduced steer axle articulation, while simultaneously allowing uncompromised uneven surface travel.

Chassis designed by state-of-the-art finite element methods contains a rugged, unitized frame structure with a low step for simple entrance to the operator's compartment. Ergonomically designed overhead guard is bar type for excellent visibility and reduced noise.

Operator's Compartment features cowl mounted hydraulic control levers positioned on the right side of the steering column. Optional Accutouch or Palmtech electro-hydraulic controls are integrated into the operator's right-side armrest allowing superior or ergonomic actuation. Automotive-style pedal arrangement with a large, single inch/brake pedal is standard. Tilt cylinders are located beneath the floor for uncluttered space. Rubber floor mat reduces noise and vibration. Floorplate can be removed without tools for excellent service access. Low step height and a convenient hand grip provide easy entry and exit to and from the truck.

Intellix VSM acts as a master truck controller, providing extensive monitoring and control of truck functions and systems. CANbus technology reduces wiring complexity and enables comprehensive communications between truck systems. The ergonomically positioned dash display transmits continual feedback to the operator and allows for communication of service codes. Comprehensive on-board diagnostics enable quick and easy troubleshooting. The electrical system features sealed connectors and Hall Effect sensors for superior dependability.

Hydraulic System incorporates a gear type pump, cast iron body for quiet efficiency. The system is protected from overloads by a main relief valve for the lift circuit and a secondary relief valve for tilt and auxiliary functions. Oil is double filtered through a 100 mesh suction line strainer and 10 micron return line filter. Hydraulic tank is integrated into the frame. For Accutouch or Palmtech joystick electro-hydraulic controls, an emergency lowering valve is provided to allow the load to be lowered in the event of power loss. O-ring face seal fittings are used in all high pressure hydraulic connections.

Yale Global Hi-Vis™ Masts are available in 2 Stage LFL, 2 Stage FFL, 3 Stage FFL, and 4 Stage FFL models. Mast features flush-faced design with geometrically matched, angled load roller bearings which are canted, yet provide full-face roller contact. The mast front rail flange angle coupled with the inverted "J" inner channel and three degree mast rollers significantly reduce channel and roller wear. "J-hook" mast mounting system allows for convenient mast installation and removal. A non-metallic phenolic mast pivot bushing with woven reinforcement offers high load carrying capability with outstanding durability.

Options

Powertrain protection system
Premium monitoring package
High air intake with precleaner Accumulator
Keyless start (w/auxiliary key switch)
LED brake and back-up lights
Headlights and rear drive lights
Traction speed limiter
Heavy-duty "Combi Cooler" radiator
Swing-out, drop-down EZ-Tank Bracket
Accutouch, electro-hydraulic control
Palmtech joystick, electro-hydraulic control
Return-to-set tilt
Rear drive handle with horn button
Swivel full suspension seat
Foot Directional Control pedal
Quick disconnect with extension tubes
10° forward/5° backward tilt
Operator password
Mirros - dual side view
Alarm-Reverse Actuated 82-102 dB(A) - Self-Adjusting
Amber Strobe Light - Continuous Activated
Paper Applications Kit

Standard Lift Specifications						Approx. Truck Weight		
Model	O.A.H. in (mm)	Free Fork Height w/o LBR in (mm)	Max Fork Height in (mm)	Extended Height w/LBR in (mm)	Tilt Rwd - Fwd	GC40VX Lbs (Kg)	GC50VX Lbs (Kg)	GC55VX Lbs (Kg)
2 Stage LFL	61 (1535)	5 (140)	82 (2092)	131 (3315)	8° / 5°	7621 (3457)	8404 (3812)	9008 (4086)
	85 (2135)	5 (140)	129 (3292)	178 (4515)	8° / 5°	7837 (3555)	8621 (3910)	9223 (4184)
2 Stage FFL	85 (2135)	60 (1575)	130 (3302)	179 (4525)	8° / 5°	7875 (3572)	8658 (3927)	9262 (4201)
	77 (1935)	53 (1395)	171 (4350)	220 (5575)	5° / 5°	8117 (3682)	8900 (4037)	9504 (4311)
	83 (2085)	59 (1545)	189 (4800)	238 (6025)	5° / 5°	8192 (3716)	8975 (4071)	9579 (4345)
	85 (2135)	61 (1595)	194 (4950)	243 (6175)	5° / 5°	8217 (3727)	9000 (4082)	9603 (4356)
	88 (2235)	65 (1695)	200 (5100)	249 (6325)	5° / 5°	8263 (3748)	9046 (4103)	9650 (4377)
4 Stage FFL	94 (2385)	82 (2145)	218 (5550)	267 (6775)	5° / 5°	8345 (3785)	9127 (4140)	9731 (4414)
	85 (2133)	61 (1595)	240 (6095)	286 (7321)	4° / 5°	8759 (3973)	9542 (4328)	10146 (4602)
	96 (2437)	73 (1895)	276 (7015)	322 (8236)	4° / 5°	8955 (4062)	9738 (4417)	10342 (4691)

Note: GC40VX & GC50VX have standard 21 x 7 x 15 drive tires @ 42.1 inch (1070mm) overall width
GC55VX have standard 21 x 8 x 15 drive tires @ 43.6 inch (1108mm) overall width

Standard Lift Specifications						Approx. Truck Weight	
Model	O.A.H. in (mm)	Free Fork Height w/o LBR in (mm)	Max Fork Height in (mm)	Extended Height w/LBR in (mm)	Tilt Rwd - Fwd	GC60VX Lbs (Kg)	GC70VX Lbs (Kg)
2 Stage LFL	87 (2185)	5 (150)	126 (3209)	175 (4435)	8° / 5°	9838 (4462)	10604 (4810)
2 Stage FFL	85 (2135)	56 (1490)	122 (3110)	171 (4335)	5° / 5°	9857 (4471)	10624 (4819)
	88 (2235)	60 (1590)	130 (3310)	179 (4535)	5° / 5°	9892 (4487)	10659 (4835)
3 Stage FFL	85 (2135)	57 (1505)	181 (4618)	231 (5845)	5° / 5°	10196 (4625)	10964 (4973)
	88 (2235)	61 (1605)	187 (4768)	236 (5995)	5° / 5°	10241 (4645)	11008 (4993)
	98 (2485)	71 (1855)	211 (5368)	260 (6595)	5° / 5°	10375 (4706)	11142 (5054)
	104 (2635)	77 (2005)	229 (5818)	278 (7045)	5° / 5°	10565 (4792)	11332 (5140)
4 Stage FFL	83.9 (2133)	58 (1473)	240 (6108)	286 (7321)	4° / 5°	10580 (4799)	11347 (5147)
	95.9 (2437)	70 (1777)	276 (7023)	322 (8236)	4° / 5°	10776 (4888)	11544 (5236)

Note: GC60VX have standard 21 x 8 x 15 drive tires @ 43.6 inch (1108mm) overall width
GC70VX have standard 21 x 9 x 15 drive tires @ 45.6 inch (1158mm) overall width

Truck performance may be affected by the condition of the vehicle, how it is equipped and the application. Consult your Yale Industrial Truck Dealer if any of the information shown is critical to your application. Specifications are subject to change without notice.

This truck meets all design specifications of ANSI B56.1 Safety Standard for Powered Industrial Trucks at the time of manufacture. Classified by Underwriters' Laboratories, Inc. as to fire hazard only for type "E" and optional "EE" for industrial trucks.

The Yale products included in this document may be covered by US patent 6,684,148 and other patents pending.

Yale, the Yale Logo, Veracitor™ VX and Yale Global Hi Vis™ Mast are trademarks or registered trademarks of Yale Material Handling Corporation in the United States and other countries.



Yale Materials Handling Corporation
P.O. Box 7367, Greenville, North Carolina 27835-7367

2227-1 10/04
Copyright 2004
Yale Materials Handling Corporation
Printed in U.S.A.

Manufactured in our own ISO 9001:2000 Registered Facilities