

10,000 • 12,000 lbs

## Yale Veracitor™ GC-VX Series

This series of trucks is available in three configurations to meet and exceed your material handling application requirements. The Veracitor™ Productivity truck delivers maximum performance for medium to heavy-duty applications with state-of-the-art features and superior power. The Veracitor™ Value truck provides excellent performance for standard and medium-duty applications and is optimized for lowest hourly cost of operation. The Veracitor™ truck offers first-rate performance for standard-duty applications and is geared to minimize your cost of acquisition without compromising performance.

**Yale Veracitor™ VX GM V-6 Engines** feature a rigid cast iron block and main bearing caps. Nodular iron crankshaft is supported on four main bearings. Camshaft is cast iron. Hydraulic valve lifters are utilized to eliminate the need for manual adjustment. All GM engines include hardened intake and exhaust valve seats with stellite coated valves for superior durability. All engines are EPA emissions compliant and feature closed loop emissions regulation systems that continually monitor exhaust and adjust fuel/air mix as necessary. The GM engine also features an electronic throttle for precise performance and control.

## Fuel System

The GM LP engine uses sequential port fuel injection and a vaporizer/regulator to convert the fuel from a liquid to a gas for vapor injection. The Engine Control Unit electronically controls the fuel, air, and spark advance to provide the necessary torque. The engine control unit's inputs include manifold air pressure, manifold air temperature, engine coolant temperature, accelerator pedal position, throttle position, engine speed, cam signal, and oxygen sensor signal.

## Transmissions

There are five powertrain configurations available that will handle a wide variety of material handling applications. All transmissions feature electronic inching (requires no adjustment), electric shift control, neutral start switch, and anti-restart protection. A single pedal controls both inching and braking. Optional dual inch/brake pedals are available for operators who prefer this design. A 100 mesh suction and a 10 micron return line filtration protect the transmission from abrasive contaminants.

The Techtronix 100 and Techtronix 100X feature Auto Deceleration through the controlled application of clutch packs, and also reduce tire spin by precisely regulating engine speed during controlled power reversals. The Techtronix 100 series is available in one or two speeds. The Techtronix 200X includes the Techtronix 100 features, and also enables Auto Speed Hydraulics with Automatic Inching Control. This feature automatically increases engine RPM's as hydraulic functions are actuated, while maintaining control over vehicle speed. The throttle response management feature provides travel speed as a direct result of pedal position, improving truck control. The Techtronix 200X adds two-speed functionality for extended drawbar pull applications.

**Cooling System** employs a 19" (diameter) blade pusher-type fan. A permanently lubricated water pump and a high capacity, cross-flow radiator ensure rapid heat dissipation. The sealed cooling system operates at a pressure of 15 psi and includes a coolant recovery tank for visual inspection of coolant level. Transmission oil cooler is integrated into the heavy-duty, anti-clog radiator and is located in the side tank. The combi-cooler radiator (standard with all Techtronix transmissions) features an externally mounted transmission oil cooler for increased heat transfer capability. All radiators are soft-mounted for excellent durability.

## Drive Axle

The drive axles are designed to withstand heavy loads and absorb shocks. The wheel hubs rotate on large tapered roller bearings. The drive shaft transmits rotational torque to

## LP Engine Specifications

Engine	GM
Cylinders	6
Displacement	262 cu.in./4.3 liter
Torque LP	210 lb.ft. @ 2400 RPM
Horsepower LP	98 HP @ 2400 RPM
Air Filtration	Two Stage, Dry Type
Emission Control	Closed loop

the drive axle from the engine and transmission. Transmission torque is distributed through a planetary gear reduction and an industrial hypoid ring gear and pinion differential assembly.

The drive axle is a "self contained" assembly that is isolated from the transmission by heavy-duty rubber isolators. The axle shafts utilize a "rolled fillet" root spline design for increased resistance to torsion stress. A magnetic sump plug is used to collect any metal particles that are circulating in the axle oil, preventing component wear.

**The standard Yale premium brakes** are single-servo hydraulic, self-energizing, and automatic adjusting drum brake assemblies. Asbestos-free brake linings are bonded to steel shoes and act against a cast iron drum. Single circuit master cylinder has sealed fluid reservoir and features a fluid level sensor which activates an indicator light located on the instrument panel. Independent, hand adjustable parking brake with push-button locking has an audible alarm to indicate when the operator has left the truck without applying the parking brake.

Optional oil cooled and wet disc brakes are internal to the axle for better protection against the elements. These low pedal effort brakes require no adjustments and very little maintenance, yet provide an extremely long service life.

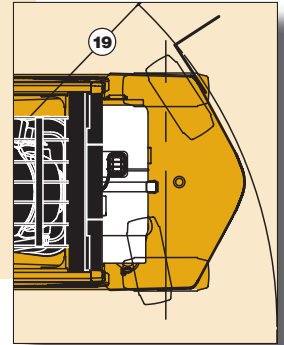
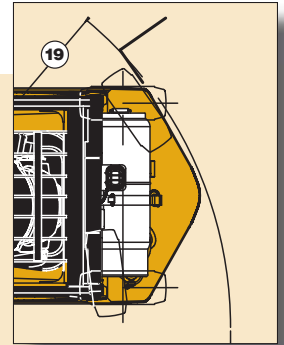
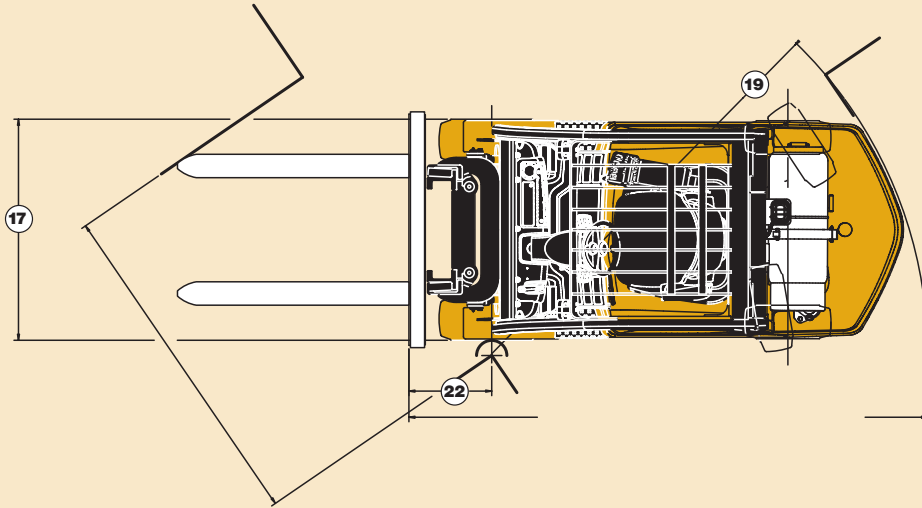
**Hydraulic Power Steering** (hydrostatic steering) provides responsive control and eliminates mechanical linkages for reduced surface shock and simplified maintenance. The steering wheel is 12 inches in diameter with a textured surface grip and spinner knob, and requires only four turns lock-to-lock. The center mounted steer cylinder is located within the confines of the steer axle for protection.



*Truck shown with optional equipment*

*(continued on back page)*

GC100BCS (Box Car Special)  
GC120SVX (Short Wheel Base)



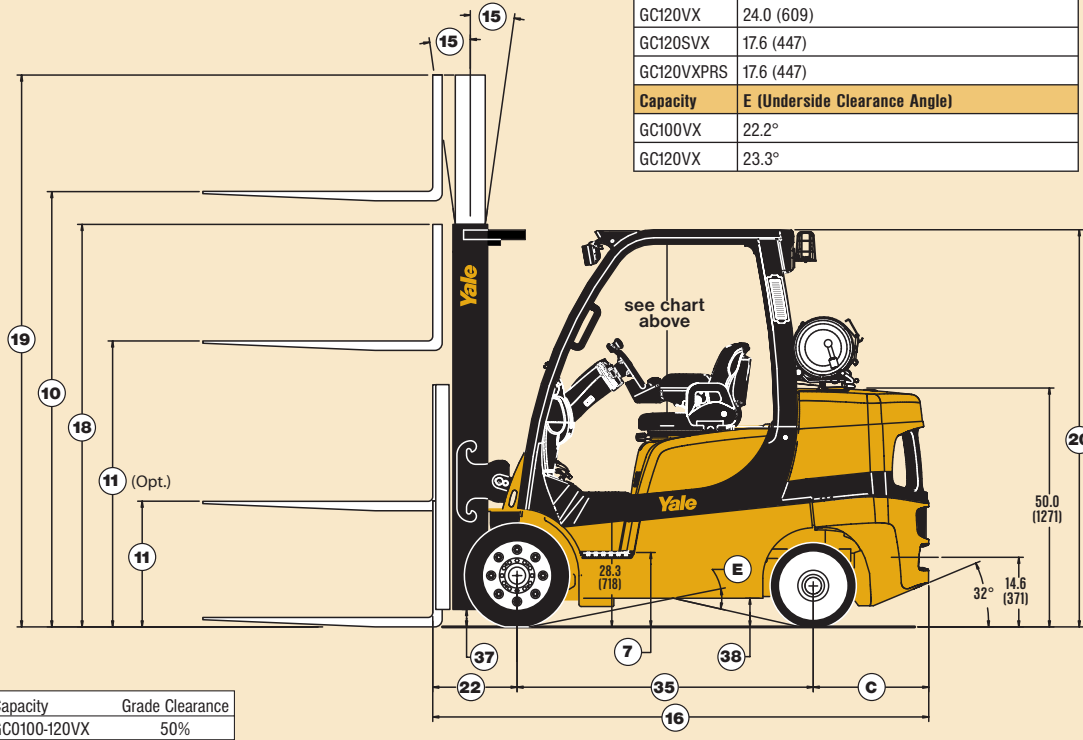
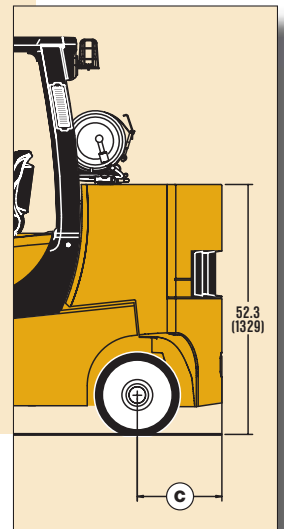
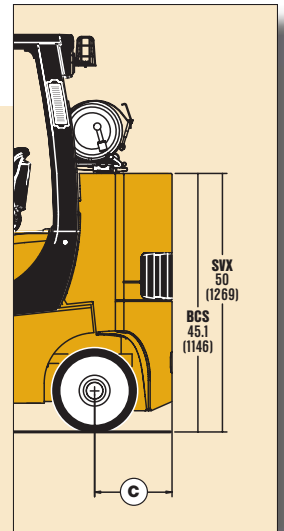
▲ GC100-120VX STANDARD

GC120VXPRS (Paper Roll Special) ▶

GC100BCS (Box Car Special)  
GC120SVX (Short Wheel Base)

	Non Susp	Semi	Full	Swivel Full
Tall OHG (Std.)	42.0(1068)	42.5(1080)	41.8(1062)	42.0(1068)
Short OHG (Opt.)	39.4(1001)	39.9(1013)	N/A	N/A

Capacity	C (Rear Wheel Center to End of Counterweight)
GC100VX	20.4 (517)
GC100BCS	21.6 (549)
GC120VX	24.0 (609)
GC120SVX	17.6 (447)
GC120VXPRS	17.6 (447)
Capacity	E (Underside Clearance Angle)
GC100VX	22.2°
GC120VX	23.3°



Capacity	Grade Clearance
GC0100-120VX	50%

▲ GC100-120VX STANDARD

GC120VXPRS (Paper Roll Special) ▶

**Steer Axle** is constructed of cast steel and is rubber shock mounted to the frame for reduced wear and vibration. The CSE (Continuous Stability Enhancement) system enhances lateral truck stability through reduced steer axle articulation, while simultaneously allowing uncompromised uneven surface travel.

**Chassis** designed by state-of-the-art finite element methods contains a rugged, unitized frame structure with a low step for simple entrance to the operator's compartment. Ergonomically designed overhead guard is bar type for excellent visibility and reduced noise.

**Operator's Compartment** features cowl mounted hydraulic control levers positioned on the right side of the steering column. Optional Accutouch minilevers or Palmtech joystick electro-hydraulic controls are integrated into the operator's right-side armrest allowing superior ergonomic actuation. Automotive-style pedal arrangement with a large, single inch/brake pedal is standard. Tilt cylinders are located beneath the floor for uncluttered space. Rubber floor mat reduces noise and vibration. The floorplate can be removed without tools for excellent service access. Low step height and a convenient hand grip provide easy entry and exit to and from the truck.

**Intellix VSM** acts as a master truck controller, providing extensive monitoring and con-

trol of truck functions and systems. CANbus technology reduces wiring complexity and enables comprehensive communications between truck systems. The ergonomically positioned dash display transmits continual feedback to the operator and allows for communication of service codes. Comprehensive on-board diagnostics enable quick and easy troubleshooting. The electrical system features sealed connectors and Hall Effect sensors for superior dependability.

**Hydraulic System** incorporates a gear type pump, cast iron body for quiet efficiency. The system is protected from overloads by a main relief valve for the lift circuit and a secondary relief valve for tilt and auxiliary functions. Oil is double filtered through a 100 mesh suction line strainer and 10 micron return line filter. The hydraulic tank is integrated into the frame. For Accutouch minilever or Palmtech joystick electro-hydraulic controls, an emergency lowering valve is provided to allow the load to be lowered in the event of power loss. O-ring face seal fittings are used in all high pressure hydraulic connections.

**Yale Global Hi-Vis™ Masts** are available in 2 Stage LFL (Limited Free Lift), 2 Stage FFL (Full Free Lift), and 3 Stage FFL models. Mast features flush-faced design with geometrically matched, angled load roller bearings which are canted, yet provide full-face roller contact. The mast front rail flange angle coupled with the inverted "J" inner channel

and three degree mast rollers significantly reduce channel and roller wear. "J-hook" mast mounting system allows for convenient mast installation and removal. A non-metallic phenolic mast pivot bushing with woven reinforcement offers high load carrying capability with outstanding durability.

**Options**

- Powertrain protection system
- Premium monitoring package
- High air intake with precleaner
- Accumulator
- Keyless start (w/auxiliary key switch)
- LED brake and back-up lights
- Headlights and rear drive lights
- Traction speed limiter
- Swing-out, drop-down EZ-Tank Bracket
- Accutouch minilever, electro-hydraulic control
- Palmtech joystick, electro-hydraulic control
- Return-to-set tilt
- Rear drive handle with horn button
- Swivel full suspension seat
- Foot Directional Control pedal
- Quick disconnect with extension tubes
- 10° forward/5° backward tilt
- Operator password
- Mirrors - dual side view
- Alarm-Reverse Actuated 82-102 dB(A) - Self-Adjusting
- Amber Strobe Light - Continuous Activated
- Paper Applications Kit
- 5 function (3 aux) hydraulic control valve

Standard Lift Specifications						Approx. Truck Wt. with standard configuration
Model	O.A.H. in (mm)	Free Fork Height w/o LBR in (mm)	Max Fork Height in (mm)	Extended Height w/LBR in (mm)	Tilt Rwd/Fwd	GC100-120VX Lbs (Kg)
GC100-120VX						
2 Stage LFL	85 (2138)	6 (160)	110 (2800)	159 (4031)	6°/5°	17383 (7885)
	96 (2438)	6 (160)	133 (3400)	183 (4631)	6°/5°	17540 (7956)
2 Stage FFL	108 (2738)	6 (160)	157 (4000)	206 (5231)	6°/5°	17699 (8028)
	85 (2138)	48 (1232)	111 (2825)	160 (4056)	6°/5°	17258 (7828)
3 Stage FFL	96 (2438)	60 (1532)	134 (3425)	184 (4656)	6°/5°	17416 (7900)
	85 (2138)	48 (1227)	163 (4147)	212 (5378)	6°/5°	18115 (8217)
	92 (2338)	56 (1427)	185 (4700)	234 (5931)	6°/5°	18278 (8291)
	100 (2538)	64 (1627)	208 (5300)	258 (6531)	6°/5°	18448 (8368)

Note: GC100/120VX have standard 22 x 12 x 16 drive tires @ 52 inch (1320 mm) overall width.

Truck performance may be affected by the condition of the vehicle, how it is equipped and the application. Consult your Yale Industrial Truck Dealer if any of the information shown is critical to your application. Specifications are subject to change without notice.

This truck meets all design specifications of ANSI B56.1 Safety Standard for Powered Industrial Trucks at the time of manufacture. Classified by Underwriters' Laboratories, Inc. as to fire hazard only.

The Yale products included in this document may be covered by US patent 6,684,148 and other patents pending.

Yale, the Yale Logo, Veracitor™ VX and Yale Global Hi Vis™ Mast are trademarks or registered trademarks of Yale Material Handling Corporation in the United States and other countries.



Yale Materials Handling Corporation  
P.O. Box 7367, Greenville, North Carolina 27835-7367

xxxx-x-05/06-xxx

Copyright 2006  
Yale Materials Handling Corporation  
Printed in U.S.A.

**Manufactured in our own ISO 9001:2000 Registered Facilities**

GENERAL	1	Manufacturer	Manufacturer Name	
	2	Model	Manufacturer Designation	
			Transmission	
			Engine	
	3	Capacity	Rated Capacity	lb. (kg)
	4	Load Center	Distance	in. (mm)
	5	Power Type	Gasoline, LPG, Diesel	
	6	Operator Type	Pedestrian, Stand-on, Seated Rider	
	7	Step Height		in. (mm)
8	Tire Type	Cushion, Solid, Pneumatic, etc.		
9	Wheels	Number - Front/Rear		
DIMENSIONS	10	Lift Heights with 2-Stage Mast	Lift Height (Top of Fork)	in. (mm)
	11		Standard Free Lift (Top of Fork) with LBR	in. (mm)
			Optional Free Lift w/LBR (Top of Fork)-85/111" Mast	in. (mm)
	12	Std. Carriage Width	Standard Carriage Width	in. (mm)
	13	Forks	Thickness/Width/Length	in. (mm)
	14	Fork Spread	Outside Dimensions	in. (mm)
	15	Tilt of Mast	Forward/Backward	degrees
	16	Dimensions	Length To Face of Forks	in. (mm)
	17		Overall Width Standard/Wide Tread (mm)	in. (mm)
	18		Height with Standard Mast in Lowered Position	in. (mm)
	19		Standard Mast Extended Height without/with LBR	in. (mm)
	20		Height of Standard Overhead Guard	in. (mm)
			Height of Optional Overhead Guard	in. (mm)
	21	Turning Radius	Minimum Outside (OTR)	in. (mm)
22	Load Distance	Center of Wheel to Face of Forks/Front Overhang	in. (mm)	
23	Aisle Width	Right Angle Stack (Add Length of Load)	in. (mm)	
24	Equal Aisle	90 Degree Intersecting Aisle (W=42in., L=48in.)	in. (mm)	
PERFORMANCE	25	Speeds	Travel Speed - W/Load/No Load	mph (km/h)
	26		Lift Speed - W/Load/No Load: Std Mast 2 stg LFL	ft./min (m/s)
			Lift Speed - W/Load/No Load: Opt 2 Stg FFL Mast	
			Lift Speed - W/Load/No Load: Opt 3 FFL Stg Mast	
	27		Lowering Speed - W/Load/No Load Std Mast 2 Stg LFL	
			Lowering Speed - W/Load/No Load Opt 2 Stg FFL Mast	
			Lowering Speed - W/Load/No Load Opt 3 Stg FFL Mast	
	28	Drawbar Pull	With Load/No Load Maximum	
	With Load/No Load @ 1 mph		lb. (kg.)	
	With Load/No Load @ 3 mph		lb. (kg.)	
29	Gradeability	With Load/No Load @ 1 mph	%	
		With Load/No Load @ 3 mph	%	
WT.	31	Weight	Std Truck, Unloaded	lb. (kg.)
	32	Axle Loads	No Load - Front/Rear	lb. (kg.)
			With Load - Front/Rear	lb. (kg.)
WHEELS & TIRES	33	Tire Size	Front	
	34		Rear	
	35	Wheelbase	Distance	in. (mm)
	37	Ground Clearance	No Load at Lowest Point (w/load - 6mm)	in. (mm)
	38		No Load at Center of Wheelbase	in. (mm)
	39	Brakes	Brakes Service - Method of Control/Operation	
40	Brakes Park - Method of Control/Operation			
TRANS. & POWER UNIT	41	Battery	Type	
	42		Volts/Cold Cranking Amps	v/cca
	43	ICE Engine	Manufacturer/Model	
	44		Output	hp (KW)
	45		Torque @ Rated RPM	ft Lbs. (kg/m)
	46		Number of Cylinders/Displacement	No. cc (ci)
	47	Transmission	With ICE Drive	Type
			Number of Std Speeds Fwd-Rev/Opt Speeds Fwd-Rev	Speeds
	48	Fuel Tank	Capacity (Gasoline-Powered Units Only)	gal. (liter)
49	Aux Hydraulic Pressure Relief Setting	Pressure Relief Setting for Auxilliary Attachments	PSI (Mpa)	

<b>Yale</b>				
<b>Veracitor GC100VX</b>				
Standard Electronic Powershift	Techtronix 100 (Single-Speed)	Techtronix 100X (2-Speed)	Techtronix 200X (2-Speed)	
GM 4.3L	GM 4.3L	GM 4.3L	GM 4.3L	
10,000 (5000)	10,000 (5000)	10,000 (5000)	10,000 (5000)	
24 (500)	24 (500)	24 (500)	24 (500)	
LP	LP	LP	LP	
Seated Rider	Seated Rider	Seated Rider	Seated Rider	
15.6 (396)	15.6 (396)	15.6 (396)	15.6 (396)	
Cushion	Cushion	Cushion	Cushion	
2x/2	2x/2	2x/2	2x/2	
110 (2800)	110 (2800)	110 (2800)	110 (2800)	
6 (160)	6 (160)	6 (160)	6 (160)	
35 (907)	35 (907)	35 (907)	35 (907)	
42.0 (1067)	42.0 (1067)	42.0 (1067)	42.0 (1067)	
2.0 X 6.0 X 48 (50 X 150 X 1219)	2.0 X 6.0 X 48 (50 X 150 X 1219)	2.0 X 6.0 X 48 (50 X 150 X 1219)	2.0 X 6.0 X 48 (50 X 150 X 1219)	
38.3 (972)	38.3 (972)	38.3 (972)	38.3 (972)	
5F/6B	5F/6B	5F/6B	5F/6B	
109.0 (2769)	109.0 (2769)	109.0 (2769)	109.0 (2769)	
52.0/55.9 (1320/1420)	52.0/55.9 (1320/1420)	52.0/55.9 (1320/1420)	52.0/55.9 (1320/1420)	
85 (2138)	85 (2138)	85 (2138)	85 (2138)	
144/159 (3657/4031)	144/159 (3657/4031)	144/159 (3657/4031)	144/159 (3657/4031)	
86.0 (2175)	86.0 (2175)	86.0 (2175)	86.0 (2175)	
83.0 (2108)	83.0 (2108)	83.0 (2108)	83.0 (2108)	
96.3 (2447)	96.3 (2447)	96.3 (2447)	96.3 (2447)	
18.2 (462)	18.2 (462)	18.2 (462)	18.2 (462)	
162.5 (4128)	162.5 (4128)	162.5 (4128)	162.5 (4128)	
86.3 (2193)	86.3 (2193)	86.3 (2193)	86.3 (2193)	
10.7/10.4 (17.2/16.7)	10.7/10.4 (17.2/16.7)	12.5/12.1 (20.1/19.5)	12.5/12.1 (20.1/19.5)	
110.2/112.2 (.56/.57)	110.2/112.2 (.56/.57)	110.2/112.2 (.56/.57)	110.2/112.2 (.56/.57)	
102.4/106.3 (.52/.54)	102.4/106.3 (.52/.54)	102.4/106.3 (.52/.54)	102.4/106.3 (.52/.54)	
106.3/108.3 (.54/.55)	106.3/108.3 (.54/.55)	106.3/108.3 (.54/.55)	106.3/108.3 (.54/.55)	
100.4/82.7 (.51/.42)	100.4/82.7 (.51/.42)	100.4/82.7 (.51/.42)	100.4/82.7 (.51/.42)	
88.6/63.0 (.45/.32)	88.6/63.0 (.45/.32)	88.6/63.0 (.45/.32)	88.6/63.0 (.45/.32)	
92.5/76.8 (.47/.39)	92.5/76.8 (.47/.39)	92.5/76.8 (.47/.39)	92.5/76.8 (.47/.39)	
6751/3997 (3062/1813)	6751/3997 (3062/1813)	7000/3997 (3175/1813)	7000/3997 (3175/1813)	
6010/3997 (2726/1813)	6010/3997 (2726/1813)	6876/3997 (3119/1813)	7000/3997 (3175/1813)	
4500/3997 (2041/1813)	4500/3997 (2041/1813)	5025/3997 (2279/1813)	5600/3997 (2540/1813)	
23.7/25.7	23.7/25.7	27.4/25.7	27.9/25.7	
17.3/24.9	17.3/24.9	19.3/24.9	21.5/24.9	
16023 (7268)	16023 (7268)	16023 (7268)	16023 (7268)	
7116/8904 (3228/4039)	7116/8904 (3228/4039)	7116/8904 (3228/4039)	7116/8904 (3228/4039)	
23349/2531 (10591/1148)	23349/2531 (10591/1148)	23349/2531 (10591/1148)	23349/2531 (10591/1148)	
22 X 12 X 16	22 X 12 X 16	22 X 12 X 16	22 X 12 X 16	
18 X 8 X 12.12	18 X 8 X 12.12	18 X 8 X 12.12	18 X 8 X 12.12	
70.5 (1790)	70.5 (1790)	70.5 (1790)	70.5 (1790)	
4.6 (118)	4.6 (118)	4.6 (118)	4.6 (118)	
6.1 (156)	6.1 (156)	6.1 (156)	6.1 (156)	
Foot/Hydraulic	Foot/Hydraulic	Foot/Hydraulic	Foot/Hydraulic	
Hand/Mechanical	Hand/Mechanical	Hand/Mechanical	Hand/Mechanical	
Maintenance Free	Maintenance Free	Maintenance Free	Maintenance Free	
12/475	12/475	12/475	12/475	
GM	GM	GM	GM	
98 (73) @ 2400 RPM	98 (73) @ 2400 RPM	98 (73) @ 2400 RPM	98 (73) @ 2400 RPM	
210 (285) @ 2400 RPM	210 (285) @ 2400 RPM	210 (285) @ 2400 RPM	210 (285) @ 2400 RPM	
6/4302 (262)	6/4302 (262)	6/4302 (262)	6/4302 (262)	
Powershift	Elec. Controlled Powershift	Elec. Controlled Powershift	Elec. Controlled Powershift	
1-1	1-1	2-1	2-1	
11.8 (44.7)	11.8 (44.7)	11.8 (44.7)	11.8 (44.7)	
2250 (155)	2250 (155)	2250 (155)	2250 (155)	

Yale			
Veracitor GC100VX BCS (Box Car Special)			
Standard Electronic Powershift	Techtronix 100 (Single-Speed)	Techtronix 100X (2-Speed)	Techtronix 200X (2-Speed)
GM 4.3L	GM 4.3L	GM 4.3L	GM 4.3L
10,000 (5000)	10,000 (5000)	10,000 (5000)	10,000 (5000)
24 (500)	24 (500)	24 (500)	24 (500)
LP	LP	LP	LP
Seated Rider	Seated Rider	Seated Rider	Seated Rider
15.6 (396)	15.6 (396)	15.6 (396)	15.6 (396)
Cushion	Cushion	Cushion	Cushion
2x/2	2x/2	2x/2	2x/2
110 (2800)	110 (2800)	110 (2800)	110 (2800)
6 (160)	6 (160)	6 (160)	6 (160)
35 (907)	35 (907)	35 (907)	35 (907)
42.0 (1067)	42.0 (1067)	42.0 (1067)	42.0 (1067)
2.0 X 6.0 X 48 (50 X 150 X 1219)	2.0 X 6.0 X 48 (50 X 150 X 1219)	2.0 X 6.0 X 48 (50 X 150 X 1219)	2.0 X 6.0 X 48 (50 X 150 X 1219)
38.3 (972)	38.3 (972)	38.3 (972)	38.3 (972)
5F/6B	5F/6B	5F/6B	5F/6B
101.6 (2581)	101.6 (2581)	101.6 (2581)	101.6 (2581)
52.0/55.9 (1320/1420)	52.0/55.9 (1320/1420)	52.0/55.9 (1320/1420)	52.0/55.9 (1320/1420)
85 (2138)	85 (2138)	85 (2138)	85 (2138)
144/159 (3657/4031)	144/159 (3657/4031)	144/159 (3657/4031)	144/159 (3657/4031)
86.0 (2175)	86.0 (2175)	86.0 (2175)	86.0 (2175)
83.0 (2108)	83.0 (2108)	83.0 (2108)	83.0 (2108)
87.9 (2232)	87.9 (2232)	87.9 (2232)	87.9 (2232)
18.2 (462)	18.2 (462)	18.2 (462)	18.2 (462)
154.1 (3913)	154.1 (3913)	154.1 (3913)	154.1 (3913)
84.4 (2143)	84.4 (2143)	84.4 (2143)	84.4 (2143)
10.7/10.4 (17.2/16.7)	10.7/10.4 (17.2/16.7)	12.5/12.1 (20.1/19.5)	12.5/12.1 (20.1/19.5)
110.2/112.2 (.56/.57)	110.2/112.2 (.56/.57)	110.2/112.2 (.56/.57)	110.2/112.2 (.56/.57)
102.4/106.3 (.52/.54)	102.4/106.3 (.52/.54)	102.4/106.3 (.52/.54)	102.4/106.3 (.52/.54)
106.3/108.3 (.54/.55)	106.3/108.3 (.54/.55)	106.3/108.3 (.54/.55)	106.3/108.3 (.54/.55)
100.4/82.7 (.51/.42)	100.4/82.7 (.51/.42)	100.4/82.7 (.51/.42)	100.4/82.7 (.51/.42)
88.6/63.0 (.45/.32)	88.6/63.0 (.45/.32)	88.6/63.0 (.45/.32)	88.6/63.0 (.45/.32)
92.5/76.8 (.47/.39)	92.5/76.8 (.47/.39)	92.5/76.8 (.47/.39)	92.5/76.8 (.47/.39)
6739/4177 (3057/1895)	6739/4177 (3057/1895)	7000/4177 (3175/1895)	7000/4177 (3175/1895)
5997/4177 (2720/1895)	5997/4177 (2720/1895)	6872/4177 (3117/1895)	7000/4177 (3175/1895)
4500/4177 (2041/1895)	4500/4177 (2041/1895)	5000/4177 (2268/1895)	5600/4177 (2540/1895)
23.1/25.7	23.1/25.7	26.6/25.7	27.1/25.7
16.8/24.9	16.8/24.9	18.7/24.9	20.9/24.9
16625 (7541)	16625 (7541)	16625 (7541)	16625 (7541)
6041/10584 (2740/4801)	6041/10584 (2740/4801)	6041/10584 (2740/4801)	6041/10584 (2740/4801)
23964/3311 (10870/1502)	23964/3311 (10870/1502)	23964/3311 (10870/1502)	23964/3311 (10870/1502)
22 X 12 X 16	22 X 12 X 16	22 X 12 X 16	22 X 12 X 16
18 X 8 X 12.12	18 X 8 X 12.12	18 X 8 X 12.12	18 X 8 X 12.12
61.8 (1570)	61.8 (1570)	61.8 (1570)	61.8 (1570)
4.6 (118)	4.6 (118)	4.6 (118)	4.6 (118)
6.1 (156)	6.1 (156)	6.1 (156)	6.1 (156)
Foot/Hydraulic	Foot/Hydraulic	Foot/Hydraulic	Foot/Hydraulic
Hand/Mechanical	Hand/Mechanical	Hand/Mechanical	Hand/Mechanical
Maintenance Free	Maintenance Free	Maintenance Free	Maintenance Free
12/475	12/475	12/475	12/475
GM	GM	GM	GM
98 (73) @ 2400 RPM	98 (73) @ 2400 RPM	98 (73) @ 2400 RPM	98 (73) @ 2400 RPM
210 (285) @ 2400 RPM	210 (285) @ 2400 RPM	210 (285) @ 2400 RPM	210 (285) @ 2400 RPM
6/4302 (262)	6/4302 (262)	6/4302 (262)	6/4302 (262)
Powershift	Elec. Controlled Powershift	Elec. Controlled Powershift	Elec. Controlled Powershift
1-1	1-1	2-1	2-1
11.8 (44.7)	11.8 (44.7)	11.8 (44.7)	11.8 (44.7)
2250 (155)	2250 (155)	2250 (155)	2250 (155)

Yale			
Veracitor GC120VX			
Standard Electronic Powershift	Techtronix 100 (Single-Speed)	Techtronix 100X (2-Speed)	Techtronix 200X (2-Speed)
GM 4.3L	GM 4.3L	GM 4.3L	GM 4.3L
12,000 (5500)	12,000 (5500)	12,000 (5500)	12,000 (5500)
24 (500)	24 (500)	24 (500)	24 (500)
LP	LP	LP	LP
Seated Rider	Seated Rider	Seated Rider	Seated Rider
15.6 (396)	15.6 (396)	15.6 (396)	15.6 (396)
Cushion	Cushion	Cushion	Cushion
2x/2	2x/2	2x/2	2x/2
110 (2800)	110 (2800)	110 (2800)	110 (2800)
6 (160)	6 (160)	6 (160)	6 (160)
35 (907)	35 (907)	35 (907)	35 (907)
42.0 (1067)	42.0 (1067)	42.0 (1067)	42.0 (1067)
2.5 X 6.0 X 48 (60 X 150 X 1219)	2.5 X 6.0 X 48 (60 X 150 X 1219)	2.5 X 6.0 X 48 (60 X 150 X 1219)	2.5 X 6.0 X 48 (60 X 150 X 1219)
38.3 (972)	38.3 (972)	38.3 (972)	38.3 (972)
5F/6B	5F/6B	5F/6B	5F/6B
112.7 (2862)	112.7 (2862)	112.7 (2862)	112.7 (2862)
52.0/55.9 (1320/1420)	52.0/55.9 (1320/1420)	52.0/55.9 (1320/1420)	52.0/55.9 (1320/1420)
85 (2138)	85 (2138)	85 (2138)	85 (2138)
144/159 (3657/4031)	144/159 (3657/4031)	144/159 (3657/4031)	144/159 (3657/4031)
86.0 (2175)	86.0 (2175)	86.0 (2175)	86.0 (2175)
83.0 (2108)	83.0 (2108)	83.0 (2108)	83.0 (2108)
99.8 (2534)	99.8 (2534)	99.8 (2534)	99.8 (2534)
18.2 (462)	18.2 (462)	18.2 (462)	18.2 (462)
165.9 (2534)	165.9 (2534)	165.9 (2534)	165.9 (2534)
88.1 (2238)	88.1 (2238)	88.1 (2238)	88.1 (2238)
10.7/10.4 (17.2/16.7)	10.7/10.4 (17.2/16.7)	12.5/12.1 (20.1/19.5)	12.5/12.1 (20.1/19.5)
110.2/112.2 (.56/.57)	110.2/112.2 (.56/.57)	110.2/112.2 (.56/.57)	110.2/112.2 (.56/.57)
102.4/106.3 (.52/.54)	102.4/106.3 (.52/.54)	102.4/106.3 (.52/.54)	102.4/106.3 (.52/.54)
106.3/108.3 (.54/.55)	106.3/108.3 (.54/.55)	106.3/108.3 (.54/.55)	106.3/108.3 (.54/.55)
100.4/82.7 (.51/.42)	100.4/82.7 (.51/.42)	100.4/82.7 (.51/.42)	100.4/82.7 (.51/.42)
92.5/63.0 (.47/.32)	92.5/63.0 (.47/.32)	92.5/63.0 (.47/.32)	92.5/63.0 (.47/.32)
92.5/76.8 (.47/.39)	92.5/76.8 (.47/.39)	92.5/76.8 (.47/.39)	92.5/76.8 (.47/.39)
6737/3786 (3056/1717)	6737/3786 (3056/1717)	7000/3786 (3175/1895)	7000/3786 (3175/1895)
5993/3786 (2718/1717)	5993/3786 (2718/1717)	6861/3786 (3112/1717)	7000/3786 (3175/1717)
4300/3786 (1950/1717)	4300/3786 (1950/1717)	5000/3786 (2268/1717)	5500/3786 (2495/1717)
20.8/22.2	20.8/22.2	23.9/22.2	24.8/22.2
14.6/21.7	14.6/21.7	17.0/21.7	18.7/21.7
17383 (7885)	17383 (7885)	17383 (7885)	17383 (7885)
6773/10611 (3072/4813)	6773/10611 (3072/4813)	6773/10611 (3072/4813)	6773/10611 (3072/4813)
25957/3426 (11774/1554)	25957/3426 (11774/1554)	25957/3426 (11774/1554)	25957/3426 (11774/1554)
22 X 12 X 16	22 X 12 X 16	22 X 12 X 16	22 X 12 X 16
18 X 8 X 12.12	18 X 8 X 12.12	18 X 8 X 12.12	18 X 8 X 12.12
70.5 (1790)	70.5 (1790)	70.5 (1790)	70.5 (1790)
4.6 (118)	4.6 (118)	4.6 (118)	4.6 (118)
6.1 (156)	6.1 (156)	6.1 (156)	6.1 (156)
Foot/Hydraulic	Foot/Hydraulic	Foot/Hydraulic	Foot/Hydraulic
Hand/Mechanical	Hand/Mechanical	Hand/Mechanical	Hand/Mechanical
Maintenance Free	Maintenance Free	Maintenance Free	Maintenance Free
12/475	12/475	12/475	12/475
GM	GM	GM	GM
98 (73) @ 2400 RPM	98 (73) @ 2400 RPM	98 (73) @ 2400 RPM	98 (73) @ 2400 RPM
210 (285) @ 2400 RPM	210 (285) @ 2400 RPM	210 (285) @ 2400 RPM	210 (285) @ 2400 RPM
6/4302 (262)	6/4302 (262)	6/4302 (262)	6/4302 (262)
Powershift	Elec. Controlled Powershift	Elec. Controlled Powershift	Elec. Controlled Powershift
1-1	1-1	2-1	2-1
11.8 (44.7)	11.8 (44.7)	11.8 (44.7)	11.8 (44.7)
2250 (155)	2250 (155)	2250 (155)	2250 (155)



Yale			
Veracitor GC120SVX (Short Wheel Base)			
Standard Electronic Powershift	Techtronix 100 (Single-Speed)	Techtronix 100X (2-Speed)	Techtronix 200X (2-Speed)
GM 4.3L	GM 4.3L	GM 4.3L	GM 4.3L
12,000 (5500)	12,000 (5500)	12,000 (5500)	12,000 (5500)
24 (500)	24 (500)	24 (500)	24 (500)
LP	LP	LP	LP
Seated Rider	Seated Rider	Seated Rider	Seated Rider
15.6 (396)	15.6 (396)	15.6 (396)	15.6 (396)
Cushion	Cushion	Cushion	Cushion
2x/2	2x/2	2x/2	2x/2
110 (2800)	110 (2800)	110 (2800)	110 (2800)
6 (160)	6 (160)	6 (160)	6 (160)
35 (907)	35 (907)	35 (907)	35 (907)
42.0 (1067)	42.0 (1067)	42.0 (1067)	42.0 (1067)
2.5 X 6.0 X 48 (60 X 150 X 1219)	2.5 X 6.0 X 48 (60 X 150 X 1219)	2.5 X 6.0 X 48 (60 X 150 X 1219)	2.5 X 6.0 X 48 (60 X 150 X 1219)
38.3 (972)	38.3 (972)	38.3 (972)	38.3 (972)
5F/6B	5F/6B	5F/6B	5F/6B
106.3 (2699)	106.3 (2699)	106.3 (2699)	106.3 (2699)
52.0/55.9 (1320/1420)	52.0/55.9 (1320/1420)	52.0/55.9 (1320/1420)	52.0/55.9 (1320/1420)
85 (2138)	85 (2138)	85 (2138)	85 (2138)
144/159 (3657/4031)	144/159 (3657/4031)	144/159 (3657/4031)	144/159 (3657/4031)
86.0 (2175)	86.0 (2175)	86.0 (2175)	86.0 (2175)
83.0 (2108)	83.0 (2108)	83.0 (2108)	83.0 (2108)
93.5 (2375)	93.5 (2375)	93.5 (2375)	93.5 (2375)
18.2 (462)	18.2 (462)	18.2 (462)	18.2 (462)
159.7 (4056)	159.7 (4056)	159.7 (4056)	159.7 (4056)
86.3 (2192)	86.3 (2192)	86.3 (2192)	86.3 (2192)
10.7/10.4 (17.2/16.7)	10.7/10.4 (17.2/16.7)	12.5/12.1 (20.1/19.5)	12.5/12.1 (20.1/19.5)
110.2/112.2 (.56/.57)	110.2/112.2 (.56/.57)	110.2/112.2 (.56/.57)	110.2/112.2 (.56/.57)
102.4/106.3 (.52/.54)	102.4/106.3 (.52/.54)	102.4/106.3 (.52/.54)	102.4/106.3 (.52/.54)
106.3/108.3 (.54/.55)	106.3/108.3 (.54/.55)	106.3/108.3 (.54/.55)	106.3/108.3 (.54/.55)
100.4/82.7 (.51/.42)	100.4/82.7 (.51/.42)	100.4/82.7 (.51/.42)	100.4/82.7 (.51/.42)
92.5/63.0 (.47/.32)	92.5/63.0 (.47/.32)	92.5/63.0 (.47/.32)	92.5/63.0 (.47/.32)
92.5/76.8 (.47/.39)	92.5/76.8 (.47/.39)	92.5/76.8 (.47/.39)	92.5/76.8 (.47/.39)
6737/3786 (3056/1717)	6737/3786 (3056/1717)	7000/3786 (3175/1895)	7000/3786 (3175/1895)
5993/3786 (2718/1717)	5993/3786 (2718/1717)	6861/3786 (3112/1717)	7000/3786 (3175/1717)
4300/3786 (1950/1717)	4300/3786 (1950/1717)	5000/3786 (2268/1717)	5500/3786 (2495/1717)
20.8/22.2	20.8/22.2	23.9/22.2	24.8/22.2
14.6/21.7	14.6/21.7	17.0/21.7	18.7/21.7
17436 (7909)	17436 (7909)	17436 (7909)	17436 (7909)
7227/10210 (3278/4631)	7227/10210 (3278/4631)	7227/10210 (3278/4631)	7227/10210 (3278/4631)
26413/3023 (11981/1371)	26413/3023 (11981/1371)	26413/3023 (11981/1371)	26413/3023 (11981/1371)
22 X 12 X 16	22 X 12 X 16	22 X 12 X 16	22 X 12 X 16
18 X 8 X 12.12	18 X 8 X 12.12	18 X 8 X 12.12	18 X 8 X 12.12
70.5 (1790)	70.5 (1790)	70.5 (1790)	70.5 (1790)
4.6 (118)	4.6 (118)	4.6 (118)	4.6 (118)
6.1 (156)	6.1 (156)	6.1 (156)	6.1 (156)
Foot/Hydraulic	Foot/Hydraulic	Foot/Hydraulic	Foot/Hydraulic
Hand/Mechanical	Hand/Mechanical	Hand/Mechanical	Hand/Mechanical
Maintenance Free	Maintenance Free	Maintenance Free	Maintenance Free
12/475	12/475	12/475	12/475
GM	GM	GM	GM
98 (73) @ 2400 RPM	98 (73) @ 2400 RPM	98 (73) @ 2400 RPM	98 (73) @ 2400 RPM
210 (285) @ 2400 RPM	210 (285) @ 2400 RPM	210 (285) @ 2400 RPM	210 (285) @ 2400 RPM
6/4302 (262)	6/4302 (262)	6/4302 (262)	6/4302 (262)
Powershift	Elec. Controlled Powershift	Elec. Controlled Powershift	Elec. Controlled Powershift
1-1	1-1	2-1	2-1
11.8 (44.7)	11.8 (44.7)	11.8 (44.7)	11.8 (44.7)
2250 (155)	2250 (155)	2250 (155)	2250 (155)

Yale				1
Veracitor GC120PRS (Paper Roll Special)				2
Standard Electronic Powershift	Techtronix 100 (Single-Speed)	Techtronix 100X (2-Speed)	Techtronix 200X (2-Speed)	
GM 4.3L	GM 4.3L	GM 4.3L	GM 4.3L	
12,000 (5500)	12,000 (5500)	12,000 (5500)	12,000 (5500)	3
24 (500)	24 (500)	24 (500)	24 (500)	4
LP	LP	LP	LP	5
Seated Rider	Seated Rider	Seated Rider	Seated Rider	6
15.6 (396)	15.6 (396)	15.6 (396)	15.6 (396)	7
Cushion	Cushion	Cushion	Cushion	8
2x/2	2x/2	2x/2	2x/2	9
N/A	N/A	N/A	N/A	10
N/A	N/A	N/A	N/A	11
N/A	N/A	N/A	N/A	12
42.0 (1067)	42.0 (1067)	42.0 (1067)	42.0 (1067)	12
No Forks	No Forks	No Forks	No Forks	13
N/A	N/A	N/A	N/A	14
5F/6B	5F/6B	5F/6B	5F/6B	15
N/A	N/A	N/A	N/A	16
52.0/55.9 (1320/1420)	52.0/55.9 (1320/1420)	52.0/55.9 (1320/1420)	52.0/55.9 (1320/1420)	17
85 (2138)	85 (2138)	85 (2138)	85 (2138)	18
144/159 (3657/4031)	144/159 (3657/4031)	144/159 (3657/4031)	144/159 (3657/4031)	19
86.0 (2175)	86.0 (2175)	86.0 (2175)	86.0 (2175)	20
83.0 (2108)	83.0 (2108)	83.0 (2108)	83.0 (2108)	21
93.5 (2375)	93.5 (2375)	93.5 (2375)	93.5 (2375)	21
N/A	N/A	N/A	N/A	22
159.7 (4056)	159.7 (4056)	159.7 (4056)	159.7 (4056)	23
86.3 (2192)	86.3 (2192)	86.3 (2192)	86.3 (2192)	24
10.7/10.4 (17.2/16.7)	10.7/10.4 (17.2/16.7)	12.5/12.1 (20.1/19.5)	12.5/12.1 (20.1/19.5)	25
110.2/112.2 (.56/.57)	110.2/112.2 (.56/.57)	110.2/112.2 (.56/.57)	110.2/112.2 (.56/.57)	26
102.4/106.3 (.52/.54)	102.4/106.3 (.52/.54)	102.4/106.3 (.52/.54)	102.4/106.3 (.52/.54)	27
106.3/108.3 (.54/.55)	106.3/108.3 (.54/.55)	106.3/108.3 (.54/.55)	106.3/108.3 (.54/.55)	27
100.4/82.7 (.51/.42)	100.4/82.7 (.51/.42)	100.4/82.7 (.51/.42)	100.4/82.7 (.51/.42)	27
92.5/63.0 (.47/.32)	92.5/63.0 (.47/.32)	92.5/63.0 (.47/.32)	92.5/63.0 (.47/.32)	28
92.5/76.8 (.47/.39)	92.5/76.8 (.47/.39)	92.5/76.8 (.47/.39)	92.5/76.8 (.47/.39)	28
6714/4068 (3953/1845)	6714/4068 (3953/1845)	7000/4068 (3175/1845)	7000/4068 (3175/1845)	28
5970/4068 (2708/1845)	5970/4068 (2708/1845)	6855/4068 (3109/1845)	7000/4068 (3175/1845)	29
4300/4068 (1950/1845)	4300/4068 (1950/1845)	5000/4068 (2268/1845)	5200/4068 (2359/1845)	29
19.8/22.2	19.8/22.2	22.9/22.2	23.4/22.2	29
14.0/22.2	14.0/22.2	16.2/22.2	16.9/22.2	30
18686 (8476)	18686 (8476)	18686 (8476)	18686 (8476)	31
7187/11499 (3260/5216)	7187/11499 (3260/5216)	7187/11499 (3260/5216)	7187/11499 (3260/5216)	32
26374/4312 (11963/1956)	26374/4312 (11963/1956)	26374/4312 (11963/1956)	26374/4312 (11963/1956)	33
22 X 12 X 16	22 X 12 X 16	22 X 12 X 16	22 X 12 X 16	33
18 X 8 X 12.12	18 X 8 X 12.12	18 X 8 X 12.12	18 X 8 X 12.12	34
70.5 (1790)	70.5 (1790)	70.5 (1790)	70.5 (1790)	35
4.6 (118)	4.6 (118)	4.6 (118)	4.6 (118)	37
6.1 (156)	6.1 (156)	6.1 (156)	6.1 (156)	38
Foot/Hydraulic	Foot/Hydraulic	Foot/Hydraulic	Foot/Hydraulic	39
Hand/Mechanical	Hand/Mechanical	Hand/Mechanical	Hand/Mechanical	40
Maintenance Free	Maintenance Free	Maintenance Free	Maintenance Free	41
12/475	12/475	12/475	12/475	42
GM	GM	GM	GM	43
98 (73) @ 2400 RPM	98 (73) @ 2400 RPM	98 (73) @ 2400 RPM	98 (73) @ 2400 RPM	44
210 (285) @ 2400 RPM	210 (285) @ 2400 RPM	210 (285) @ 2400 RPM	210 (285) @ 2400 RPM	45
6/4302 (262)	6/4302 (262)	6/4302 (262)	6/4302 (262)	46
Powershift	Elec. Controlled Powershift	Elec. Controlled Powershift	Elec. Controlled Powershift	47
1-1	1-1	2-1	2-1	47
11.8 (44.7)	11.8 (44.7)	11.8 (44.7)	11.8 (44.7)	48
2250 (155)	2250 (155)	2250 (155)	2250 (155)	49

GENERAL

DIMENSIONS

PERFORMANCE

WT.

WHEELS &amp; TIRES

TRANS. &amp; POWER UNIT