

10,000 • 11,000 • 12,000 lbs

Yale Veracitor™ GP-VX Series

This series of trucks is available in two configurations to meet and exceed your material handling application requirements. The Veracitor™ Productivity truck delivers maximum performance for medium to heavy-duty applications with state-of-the-art features and superior power. The Veracitor™ Value truck provides excellent performance for standard and medium-duty applications and is optimized for lowest hourly cost of operation.

Yale Veracitor™ VX GM V-6 Engines feature a rigid cast iron block and main bearing caps. Nodular iron crankshaft is supported on four main bearings. Camshaft is cast iron. Hydraulic valve lifters are utilized to eliminate the need for manual adjustment. All GM engines include hardened intake and exhaust valve seats with stellite coated valves for superior durability. All engines are EPA emissions compliant and feature closed loop emissions regulation systems that continually monitor exhaust and adjust fuel/air mix as necessary. The GM engine also features an electronic throttle for precise performance and control.

Yale Veracitor™ Optional Cummins QSB 3.3 Diesel Engines feature legendary Cummins reliability and Tier III emissions compliance. The engine features include a "High Pressure Common Rail" (HPCR) fuel system with full electronic control; exceptionally low noise levels; forged steel crankshaft, camshaft & piston rods; and oil-cooled forged aluminum pistons.

Fuel System

The standard GM Gas and LP engine uses sequential port fuel injection. The LP engine uses a vaporizer/regulator to convert the fuel

from a liquid to a gas for vapor injection. The Engine Control Unit electronically regulates the fuel, air, and spark advance to provide the necessary torque. The engine control unit's inputs include manifold air pressure, manifold air temperature, engine coolant temperature, accelerator pedal position, throttle position, engine speed, cam signal, and oxygen sensor signal.

The optional Cummins Diesel engine incorporates Cummins "HPCR" fuel system, solenoid-actuated injection nozzles, a full suite of sensors and full electronic engine control to maximize engine performance while reducing engine noise & emissions.

Transmissions

There are two transmission selections available that will handle a wide variety of material handling applications. Both transmissions feature electronic inching (requires no adjustment), electronic shift control, neutral start switch, and anti-restart protection. A single pedal controls both inching and braking. Optional dual inch/brake pedals are available for operators who prefer this design. A 100 mesh suction and a 10 micron return line filtration protect the transmission from abrasive contaminants.

The Techtronix 100X features Auto Deceleration through the controlled application of clutch packs, and also reduce tire spin by precisely regulating engine speed during controlled power reversals. The Techtronix 200X includes all Techtronix 100X features, and adds Auto Speed Hydraulics with Automatic Inching Control. This feature automatically increases engine RPM's as hydraulic functions are actuated, while maintaining control over vehicle travel speed. The throttle response management feature provides travel speed as a direct result of pedal position, improving truck control. The Techtronix 200X has exceptional drawbar pull capabilities.

Cooling System employs a 19" (diameter) blade pusher-type fan. A permanently lubricated water pump and a high capacity, cross-flow radiator ensure rapid heat dissipation. The sealed cooling system operates at a pressure of 15 psi and includes a coolant recovery tank for visual inspection of coolant level. The combi-cooler radiator (standard with all Techtronix transmissions) features an externally mounted transmission oil cooler for

Gas Engine Specifications

Engine Gas	GM Vortec™
Cylinders Gas	V-6
Displacement Gas	262 cu.in./4.3 liter
Torque Gas	210 lb.ft. @ 2400 RPM
Horsepower Gas	97 hp @ 2400 RPM
Air Filtration	Two Stage, Dry Type
Emission Control	Closed loop

LP Engine Specifications

Engine LP	GM
Cylinders LP	V-6
Displacement LP	262 cu.in./4.3 liter
Torque LP	225 lb.ft. @ 2400 RPM
Horsepower LP	97.9 hp @ 2400 RPM
Air Filtration	Two Stage, Dry Type
Emission Control	Closed loop

Diesel Engine Specifications

Engine Diesel	Cummins QSB 3.3
Cylinders Diesel	I-4
Displacement Diesel	199 cu.in./3.3 liter
Torque Diesel	275 lb.ft. @ 1400 RPM
Horsepower Diesel	80 hp @ 2200 RPM
Air Filtration	Two Stage, Dry Type
Emission Control	ECM Control

increased heat transfer capability. All radiators are soft-mounted for excellent durability.

Drive Axle

The drive axles are designed to withstand heavy loads and absorb shocks. The wheel hubs rotate on large tapered roller bearings. The drive shaft transmits rotational torque to the drive axle from the engine and transmission. Transmission torque is distributed through a planetary gear reduction and an industrial hypoid ring gear and pinion differential assembly.

The drive axle is a "self contained" assembly that is isolated from the transmission by the drive shaft and heavy-duty rubber isolators. The axle shafts utilize a "rolled fillet" root spline design for increased resistance to torsion stress. A magnetic sump plug is used to collect any metal particles that are circulating in the axle oil, preventing component wear.

Oil-cooled wet disc brakes are internal to the axle for better protection against the elements. These low pedal effort brakes require no adjustments and very little maintenance, yet provide an extremely long service life.

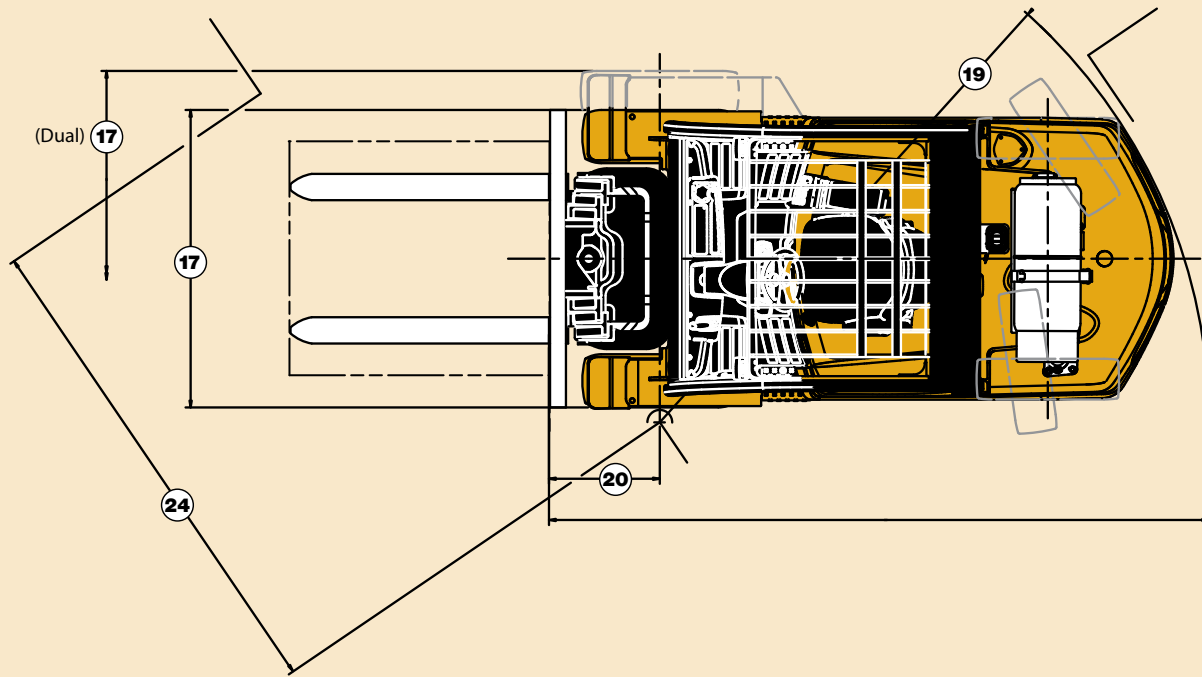
(continued on back page)



Truck shown with optional equipment

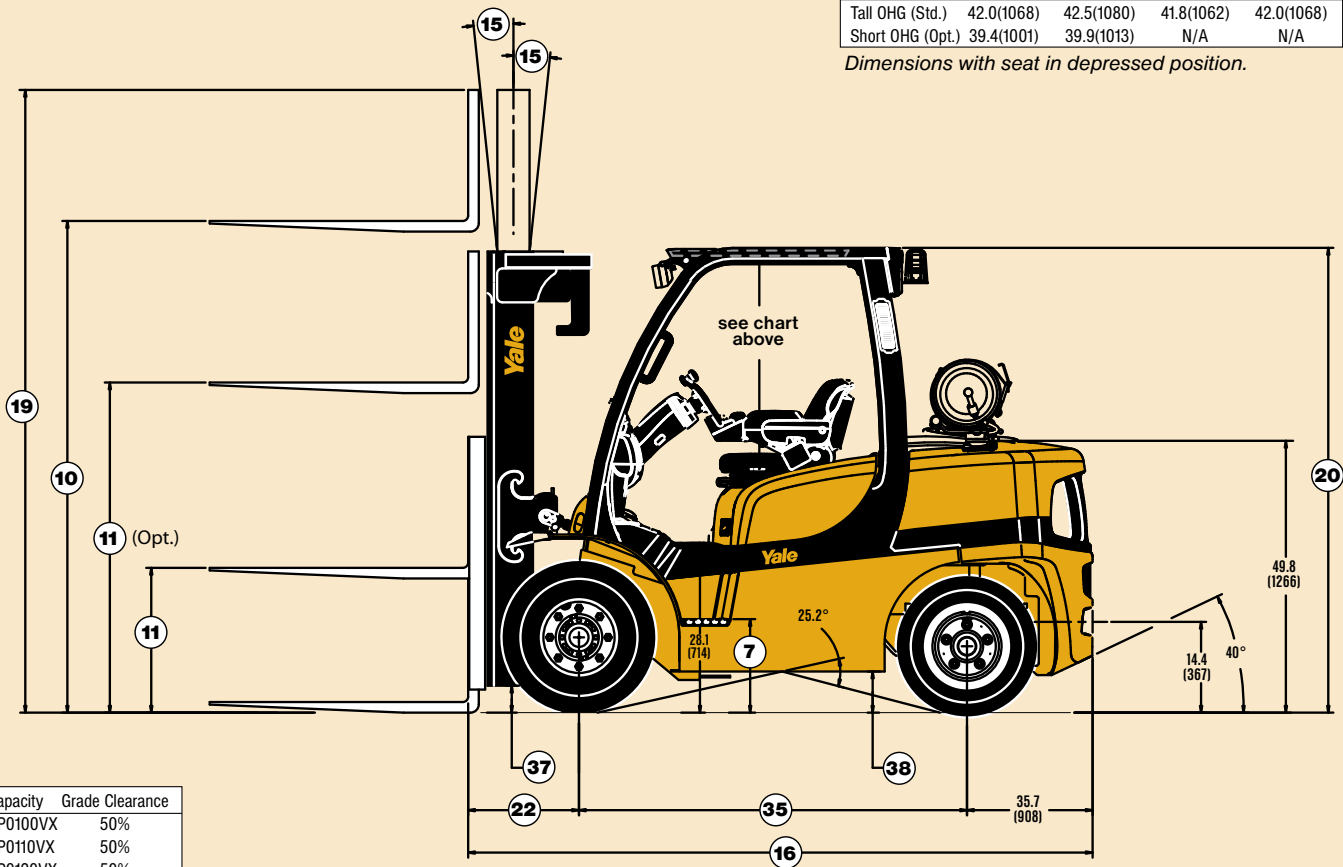


Manufactured in our own ISO 9001 and ISO 14001 Registered Facilities



	Non Susp	Semi	Full	Swivel Full
Tall OHG (Std.)	42.0(1068)	42.5(1080)	41.8(1062)	42.0(1068)
Short OHG (Opt.)	39.4(1001)	39.9(1013)	N/A	N/A

Dimensions with seat in depressed position.



Capacity	Grade Clearance
GP0100VX	50%
GP0110VX	50%
GP0120VX	50%

GENERAL	1	Manufacturer	Manufacturer Name	
	2a		Manufacturer Designation	
	2b	Model	Transmission	
	2c		Engine	
	3	Capacity	Rated Capacity	lb. (kg)
	4	Load Center	Distance	in. (mm)
	5	Power Type	Gasoline, LPG, Diesel	
	6	Operator Type	Pedestrian, Stand-on, Seated Rider	
	7	Step Height		in. (mm)
8	Tire Type	Cushion, Solid, Pneumatic, etc.		
9	Wheels	Number - Front/Rear		
DIMENSIONS	10		Lift Height (Top of Fork)	in. (mm)
	11a	Lift Heights with 2-Stage Mast	Standard Free Lift (Top of Fork) with LBR	in. (mm)
	11b		Optional Free Lift w/LBR (Top of Fork)-85/120" Mast	in. (mm)
	12	Std. Carriage Width	Standard Carriage Width	in. (mm)
	13	Forks	Thickness/Width/Length	in. (mm)
	14	Fork Spread	Outside Dimensions	in. (mm)
	15	Tilt of Mast	Forward/Backward	degrees
	16	Dimensions	Length To Face of Forks	in. (mm)
	17		Overall Width Standard/Dual Tread	in. (mm)
	18		Height with Standard Mast in Lowered Position	in. (mm)
	19		Standard Mast Extended Height without/with LBR	in. (mm)
	20		Height of Standard Overhead Guard	in. (mm)
			Height of Optional Overhead Guard	in. (mm)
			Height of Optional Cab	in. (mm)
21	Turning Radius	Minimum Outside (OTR)	in. (mm)	
22	Load Distance	Center of Wheel to Face of Forks/Front Overhang	in. (mm)	
23	Aisle Width	Right Angle Stack (Add Length of Load)	in. (mm)	
24	Equal Aisle	90 Degree Intersecting Aisle (W=42in., L=48in.)	in. (mm)	
PERFORMANCE	25	Speeds	Travel Speed - With Load/No Load	mph (km/h)
	26		Lift Speed - With Load/No Load: Std Mast 2 stg LFL	ft./min (m/s)
			Lift Speed - With Load/No Load: Opt 2 Stg FFL Mast	
			Lift Speed - With Load/No Load: Opt 3 FFL Stg Mast	
	27		Lowering Speed - With Load/No Load Std Mast 2 Stg LFL	
			Lowering Speed - With Load/No Load Opt 2 Stg FFL Mast	
		Lowering Speed - With Load/No Load Opt 3 Stg FFL Mast		
	28	Drawbar Pull	With Load/No Load Maximum	lb. (kg.)
	With Load/No Load @ 1 mph		lb. (kg.)	
	With Load/No Load @ 3 mph		lb. (kg.)	
29a	Gradeability	Maximum	%	
29b		With Load/No Load @ 1 mph	%	
29c		With Load/No Load @ 3 mph	%	
WT.	31	Weight	Std Truck, Unloaded	lb. (kg.)
	32	Axle Loads	With Load - Front/Rear	lb. (kg.)
			No Load - Front/Rear	lb. (kg.)
WHEELS & TIRES	33	Tire Size	Front	
	34		Rear	
	35	Wheelbase	Distance	in. (mm)
	37	Ground Clearance	No Load at Lowest Point (w/rated load)	in. (mm)
	38		No Load at Center of Wheelbase	in. (mm)
	39	Brakes	Brakes Service - Method of Control/Operation	
40	Brakes Park - Method of Control/Operation			
TRANS. & POWER UNIT	41	Battery	Type	
	42		Volts/Cold Cranking Amps	v/cca
	43	ICE Engine	Manufacturer/Model	
	44		Output	hp (KW)
	45		Torque @ Rated RPM	ft Lbs. (kg/m)
	46		Number of Cylinders/Displacement	No. cc (ci)
	47	Transmission	With ICE Drive	Type
			Number of Standard Speeds Fwd-Rev/Opt Speeds Fwd-Rev	Speeds
	48	Fuel Tank	Capacity	gal/liters
49	Aux Hydraulic Pressure Relief Setting	Pressure Relief Setting for Auxilliary Attachments	PSI (Mpa)	

Yale			
Veracitor GP100VX			
Techtronix 100X (2-Speed)			
	GM 4.3L	GM 4.3L	Cummins
	10,000 (4,500)	10,000 (4,500)	10,000 (4,500)
	24 (610)	24 (610)	24 (610)
	Gas	LP	Diesel
	Seated Rider	Seated Rider	Seated Rider
	19.1 (484)	19.1 (484)	19.1 (484)
	Pneumatic	Pneumatic	Pneumatic
	2/2	2/2	2/2
	110 (2800)	110 (2800)	110 (2800)
	6 (160)	6 (160)	6 (160)
	37 (950)	37 (950)	37 (950)
	53.3 (1354)	53.3 (1354)	53.3 (1354)
	2.5 x 6 x 48 (60 x 150 x 1219)	2.5 x 6 x 48 (60 x 150 x 1219)	2.5 x 6 x 48 (60 x 150 x 1219)
	49.7 (1261.5)	49.7 (1261.5)	49.7 (1261.5)
	6F/12B	6F/12B	6F/12B
	128.2 (3256)	128.2 (3256)	128.2 (3256)
	57.1/73.8 (1450/1875)	57.1/73.8 (1450/1875)	57.1/73.8 (1450/1875)
	88 (2214)	88 (2214)	88 (2214)
	147/160 (3730/4064)	147/160 (3730/4064)	147/160 (3730/4064)
	91 (2300)	91 (2300)	91 (2300)
	88 (2234)	88 (2234)	88 (2234)
	92 (2319)	92 (2319)	92 (2319)
	111.7 (2837)	111.7 (2837)	111.7 (2837)
	23.2 (590)	23.2 (590)	23.2 (590)
	138.0 (3505)	138.0 (3505)	138.0 (3505)
	97.3 (2472)	97.3 (2472)	97.3 (2472)
	22.2/22.7 (13.8/14.1)	22.2/22.7 (13.8/14.1)	22.6/23.1 (14.1/14.3)
	110/112 (0.56/0.57)	110/112 (0.56/0.57)	94/104(0.48/0.53)
	102/106 (0.52/0.54)	102/106 (0.52/0.54)	91/98 (0.46/0.5)
	106/108 (0.54/0.55)	106/108 (0.54/0.55)	93/100 (0.47/0.51)
	100/83 (0.51/0.42)	100/83 (0.51/0.42)	100/83 (0.51/0.42)
	89/63 (0.45/0.32)	89/63 (0.45/0.32)	89/63 (0.45/0.32)
	93/77 (0.47/0.39)	93/77 (0.47/0.39)	93/77 (0.47/0.39)
	7350/4780 (334/2168)	7500/4780 (3402/2168)	7975/4777 (3617/2167)
	6390/4780 (2898/2168)	6540/4780 (2967/2168)	6853/4777 (3109/2167)
	4420/4545 (2005/2062)	4870/4545 (2209/2062)	4930/4777 (2236/2167)
	29.6/31.5	30.2/31.5	32.3/31.5
	25.5/31.5	26.1/31.5	27.4/31.5
	17.8/31.5	19.6/31.1	19.4/31.5
	15298 (6939)	15298 (6939)	15926 (7224)
	22630/2668 (10265/1210)	22630/2668 (10265/1210)	23360/2567 (10596/1164)
	6949/8349 (3152/3787)	6949/8349 (3152/3787)	7657/8269 (3473/3751)
	300 X 15 20PR	300 X 15 20PR	300 X 15 20PR
	7.00X12-14PR	7.00X12-14PR	7.00X12-14PR
	82.7 (2100)	82.7 (2100)	82.7 (2100)
	7.6 (194)	7.6 (194)	7.6 (194)
	9.3 (237)	9.3 (237)	9.3 (237)
	Hydraulic/Foot	Hydraulic/Foot	Hydraulic/Foot
	Mechanical/Hand	Mechanical/Hand	Mechanical/Hand
	Maintenance Free	Maintenance Free	Maintenance Free
	12V / 475	12V / 475	12V / 900
	GM Gas	GM LP	Cummins QSB Turbodiesel
	97 (72) @ 2400 rpm	101 (75) @ 2400 rpm	80 (60) @ 2200 rpm
	214 (290) @ 2400 rpm	221 (300) @ 2400 rpm	274 (371) @ 1400 rpm
	V6/4302 (262)	V6/4302 (262)	I-4/3261 (199)
	Electronically Controlled Powershift	Electronically Controlled Powershift	Electronically Controlled Powershift
	2/1	2/1	2/1
	26.5 (100.3)	N/A	26.5 (100.3)
	2250 (155)	2250 (155)	2250 (155)

Yale		
Veracitor GP110VX		
Techtronix 200X (2-Speed)		
GM 4.3L	GM 4.3L	Cummins
11,000 (5,000)	11,000 (5,000)	11,000 (5,000)
24 (610)	24 (610)	24 (610)
Gas	LP	Diesel
Seated Rider	Seated Rider	Seated Rider
19.1 (484)	19.1 (484)	19.1 (484)
Pneumatic	Pneumatic	Pneumatic
2/2	2/2	2/2
110 (2800)	110 (2800)	110 (2800)
6 (160)	6 (160)	6 (160)
37 (950)	37 (950)	37 (950)
53.3 (1354)	53.3 (1354)	53.3 (1354)
2.5 x 6 x 48 (60 x 150 x 1219)	2.5 x 6 x 48 (60 x 150 x 1219)	2.5 x 6 x 48 (60 x 150 x 1219)
49.7 (1261.5)	49.7 (1261.5)	49.7 (1261.5)
6F/12B	6F/12B	6F/12B
129.9 (3299)	129.9 (3299)	129.9 (3299)
57.1/73.8 (1450/1875)	57.1/73.8 (1450/1875)	57.1/73.8 (1450/1875)
88 (2214)	88 (2214)	88 (2214)
147/160 (3730/4064)	147/160 (3730/4064)	147/160 (3730/4064)
91 (2300)	91 (2300)	91 (2300)
88 (2234)	88 (2234)	88 (2234)
92 (2319)	92 (2319)	92 (2319)
113.3 (2877)	113.3 (2877)	113.3 (2877)
23.2 (590)	23.2 (590)	23.2 (590)
136.5 (3467)	136.5 (3467)	136.5 (3467)
98.1 (2493)	98.1 (2493)	98.1 (2493)
22.2/22.7 (13.8/14.1)	22.2/22.7 (13.8/14.1)	22.6/23.1 (14.1/14.3)
110/112 (0.56/0.57)	110/112 (0.56/0.57)	94/104 (0.48/0.53)
102/106 (0.52/0.54)	102/106 (0.52/0.54)	91/98 (0.46/0.50)
106/100 (0.54/0.51)	106/100 (0.54/0.51)	93/100 (0.47/0.51)
100/83 (0.51/0.42)	100/83 (0.51/0.42)	100/83 (0.51/0.42)
89/63 (0.45/0.32)	89/63 (0.45/0.32)	89/63 (0.45/0.32)
93/77 (0.47/0.39)	93/77 (0.47/0.39)	93/77 (0.47/0.39)
7320/4700 (3320/2132)	7480/4700 (3393/2132)	7946/4704 (3604/2134)
6370/4700 (2889/2132)	6510/4700 (2953/2132)	6824/4704 (3095/2134)
4400/4503 (1996/2043)	4820/4503 (2186/2043)	4901/4704 (2223/2134)
27.5/29.6	28.2/29.6	30.1/29.6
23.7/29.6	24.3/29.6	25.5/29.6
16.6/29.4	18.3/29.4	18.1/29.6
15970 (7244)	15970 (7244)	16586 (7523)
24059/2910 (10913/1320)	24059/2910 (10913/1320)	24782/2804 (11241/1272)
6810/9160 (3089/4155)	6810/9160 (3089/4155)	7509/9077 (3406/4117)
300 X 15 20PR	300 X 15 20PR	300 X 15 20PR
7.00X12-14PR	7.00X12-14PR	7.00X12-14PR
82.7 (2100)	82.7 (2100)	82.7 (2100)
7.6 (194)	7.6 (194)	7.6 (194)
9.3 (237)	9.3 (237)	9.3 (237)
Hydraulic/Foot	Hydraulic/Foot	Hydraulic/Foot
Mechanical/Hand	Mechanical/Hand	Mechanical/Hand
Maintenance Free	Maintenance Free	Maintenance Free
12V / 475	12V / 475	12V / 900
GM Gas	GM LP	Cummins QSB Turbodiesel
97 (72) @ 2400 rpm	101 (75) @ 2400 rpm	80 (60) @ 2200 rpm
214 (290) @ 2400 rpm	221 (300) @ 2400 rpm	274 (371) @ 1400 rpm
V6/4302 (262)	V6/4302 (262)	I-4/3261 (199)
Electronically Controlled Powershift	Electronically Controlled Powershift	Electronically Controlled Powershift
2/1	2/1	2/1
26.5 (100.3)	N/A	26.5 (100.3)
2250 (155)	2250 (155)	2250 (155)

Yale			1
Veracitor GP120VX			2a
Techtronix 100X (2-Speed)			2b
GM 4.3L	GM 4.3L	Cummins	2c
12,000 (5,500)	12,000 (5,500)	12,000 (5,500)	3
24 (610)	24 (610)	24 (610)	4
Gas	LP	Diesel	5
Seated Rider	Seated Rider	Seated Rider	6
19.1 (484)	19.1 (484)	19.1 (484)	7
Pneumatic	Pneumatic	Pneumatic	8
2/2	2/2	2/2	9
110 (2800)	110 (2800)	110 (2800)	10
6 (160)	6 (160)	6 (160)	11a
37 (950)	37 (950)	37 (950)	11b
53.3 (1354)	53.3 (1354)	53.3 (1354)	12
2.5 x 6 x 48 (60 x 150 x 1219)	2.5 x 6 x 48 (60 x 150 x 1219)	2.5 x 6 x 48 (60 x 150 x 1219)	13
49.7 (1261.5)	49.7 (1261.5)	49.7 (1261.5)	14
6F/12B	6F/12B	6F/12B	15
131.5 (3340)	131.5 (3340)	131.5 (3340)	16
57.1/73.8 (1450/1875)	57.1/73.8 (1450/1875)	57.1/73.8 (1450/1875)	17
88 (2214)	88 (2214)	88 (2214)	18
147/160 (3730/4064)	147/160 (3730/4064)	147/160 (3730/4064)	19
91 (2300)	91 (2300)	91 (2300)	20
88 (2234)	88 (2234)	88 (2234)	
92 (2319)	92 (2319)	92 (2319)	
114.8 (2915)	114.8 (2915)	114.8 (2915)	21
23.2 (590)	23.2 (590)	23.2 (590)	22
136.5 (3467)	136.5 (3467)	136.5 (3467)	23
98.9 (2513)	98.9 (2513)	98.9 (2513)	24
22.2/22.7 (13.8/14.1)	22.2/22.7 (13.8/14.1)	22.6/23.1 (14.1/14.3)	25
110/112 (0.56/0.57)	110/112 (0.56/0.57)	94/104 (0.48/0.53)	26
102/106 (0.52/0.54)	102/106 (0.52/0.54)	91/98 (0.46/0.50)	
106/108 (0.54/0.55)	106/108 (0.54/0.55)	93/100 (0.47/0.51)	
100/83 (0.51/0.42)	100/83 (0.51/0.42)	100/83 (0.51/0.42)	27
93/63 (0.47/0.32)	93/63 (0.47/0.32)	93/63 (0.47/0.32)	
93/77 (0.47/0.39)	93/77 (0.47/0.39)	93/77 (0.47/0.39)	
7290/4620 (3307/2096)	7450/4620 (3379/2096)	7918/4622 (3592/2097)	28
6340/4620 (2876/2096)	6480/4620 (2939/2096)	6795/4622 (3082/2097)	
4400/4620 (1996/2096)	4840/4620 (2195/2096)	4872/4622 (2210/2097)	
25.8/27.9	26.4/27.9	28.2/27.9	29a
22.2/27.9	22.8/27.9	23.9/27.9	29b
16.9/27.9	18.6/27.9	16.9/27.9	29c
16598 (7529)	16598 (7529)	17214 (7808)	31
25474/3124 (11555/1417)	25474/3124 (11555/1417)	26195/3019 (11882/1370)	32
6649/9949 (3016/4513)	6649/9949 (3016/4513)	7352/9863 (3335/4474)	
300 X 15 20PR	300 X 15 20PR	300 X 15 20PR	33
7.00X12-14PR	7.00X12-14PR	7.00X12-14PR	34
82.7 (2100)	82.7 (2100)	82.7 (2100)	35
7.6 (194)	7.6 (194)	7.6 (194)	37
9.3 (237)	9.3 (237)	9.3 (237)	38
Hydraulic/Foot	Hydraulic/Foot	Hydraulic/Foot	39
Mechanical/Hand	Mechanical/Hand	Mechanical/Hand	40
Maintenance Free	Maintenance Free	Maintenance Free	41
12V / 475	12V / 475	12V / 900	42
GM Gas	GM LP	Cummins QSB Turbodiesel	43
97 (72) @ 2400 rpm	101 (75) @ 2400 rpm	80 (60) @ 2200 rpm	44
214 (290) @ 2400 rpm	221 (300) @ 2400 rpm	274 (371) @ 1400 rpm	45
V6/4302 (262)	V6/4302 (262)	I-4/3261 (199)	46
Electronically Controlled Powershift	Electronically Controlled Powershift	Electronically Controlled Powershift	47
2/1	2/1	2/1	
26.5 (100.3)	N/A	26.5 (100.3)	48
2250 (155)	2250 (155)	2250 (155)	49

GENERAL

DIMENSIONS

PERFORMANCE

WT.

WHEELS & TIRES

TRANS. & POWER UNIT

Single circuit master cylinder has a sealed fluid reservoir and features a fluid level sensor which activates an indicator light located on the instrument panel. Independent, hand adjustable parking brake with push-button release has an audible alarm to indicate when the operator has left the truck without applying the parking brake.

Hydraulic Power Steering (hydrostatic steering) provides responsive control and eliminates mechanical linkages for reduced surface shock and simplified maintenance. The steering wheel is 12 inches in diameter with a textured surface grip and spinner knob, and requires only four turns lock-to-lock. The center mounted steer cylinder is located within the confines of the steer axle for protection.

Steer Axle is constructed of cast steel and is rubber shock mounted to the frame for reduced wear and vibration. The CSE (Continuous Stability Enhancement) system enhances lateral truck stability through reduced steer axle articulation, while simultaneously allowing uncompromised uneven surface travel.

Chassis designed by state-of-the-art finite element methods contains a rugged, unitized frame structure with a low step for simple entrance to the operator's compartment. Ergonomically designed overhead guard is bar type for excellent visibility and reduced noise.

Operator's Compartment features cowl mounted hydraulic control levers positioned on the right side of the steering column. Optional Accutouch minilevers or Palmtech joystick electro-hydraulic controls are inte-

grated into the operator's right-side armrest allowing superior ergonomic actuation. Automotive-style pedal arrangement with a large, single inch/brake pedal is standard. Tilt cylinders are located beneath the floor for uncluttered space. Rubber floor mat reduces noise and vibration. The floorplate can be removed without tools for excellent service access. Low step height and a convenient hand grip provide easy entry and exit to and from the truck.

Intellix VSM acts as a master truck controller, providing extensive monitoring and control of truck functions and systems. CANbus technology reduces wiring complexity and enables comprehensive communications between truck systems. The ergonomically positioned dash display transmits continual feedback to the operator and allows for communication of service codes. Comprehensive on-board diagnostics enable quick and easy troubleshooting. The electrical system features sealed connectors and Hall Effect sensors for superior dependability.

Hydraulic System incorporates a gear type pump with a cast iron body for quiet efficiency. The system is protected from overloads by a main relief valve for the lift circuit and a secondary relief valve for tilt and auxiliary functions. Oil is double filtered through a 100 mesh suction line strainer and 10 micron return line filter. The hydraulic tank is integrated into the frame. For Accutouch minilever electro-hydraulic controls, an emergency lowering valve is provided to allow the load to be lowered in the event of power loss. O-ring face seal fittings are used in all high pressure hydraulic connections.

Yale Global Hi-Vis™ Masts are available in 2 Stage LFL (Limited Free Lift), 2 Stage FFL (Full Free Lift), and 3 Stage FFL models. Mast features flush-faced design with geometrically matched, angled load roller bearings which are canted, yet provide full-face roller contact. The mast front rail flange angle coupled with the inverted "J" inner channel and three degree mast rollers significantly reduce channel and roller wear. "J-hook" mast mounting system allows for convenient mast installation and removal. A non-metallic phenolic mast pivot bushing with woven reinforcement offers high load carrying capability with outstanding durability.

Options

- QSB 3.3 Cummins Turbo-Diesel Engine
- Powertrain protection system
- Premium monitoring package
- High air intake with precleaner
- Accumulator
- Keyless start (w/auxiliary key switch)
- LED brake and back-up lights
- Headlights and rear drive lights with halogen bulbs
- Traction speed limiter
- Swing-out, drop-down EZ-Tank Bracket
- Accutouch minilever, electro-hydraulic control
- Return-to-set tilt
- Rear drive handle with horn button
- Swivel full suspension seat
- Foot Directional Control pedal
- Operator password
- Mirrors - dual side view
- Alarm-Reverse Actuated 82-102 dB(A) - Self-Adjusting
- Amber Strobe Light - Continuous Activated
- Paper Applications Kit
- 4 function (2 aux) hydraulic control valve
- 12° forward/6° backward tilt

Standard Lift Specifications						Approx. Truck Wt. with standard configuration		
Model GP100-120VX	O.A.H. in (mm)	Free Fork Height w/o LBR in (mm)	Max Fork Height in (mm)	Extended Height w/LBR in (mm)	Tilt Rwd/Fwd	GP100VX Lbs (Kg)	GP110VX Lbs (Kg)	GP120VX Lbs (Kg)
2 Stage LFL	88 (2214)	6 (160)	110 (2800)	160 (4064)	10°/6°	16822 (7630)	17494 (7935)	18122 (8220)
	99 (2514)	6 (160)	133 (3400)	184 (4664)	10°/6°	16978 (7701)	17651 (8006)	18279 (8291)
	111 (2814)	6 (160)	157 (4000)	208 (5264)	10°/6°	17135 (7772)	17807 (8077)	18436 (8362)
2 Stage FFL	88 (2214)	48 (1232)	111 (2825)	161 (4089)	10°/6°	16924 (7677)	17596 (7982)	18224 (8267)
	99 (2514)	60 (1532)	91 (2325)	185 (4689)	10°/6°	17084 (7749)	17757 (8054)	18385 (8339)
3 Stage FFL	88 (2214)	48 (1232)	163 (4147)	214 (5411)	10°/6°	17550 (7961)	18222 (8266)	18850 (8551)
	92 (2314)	52 (1332)	175 (4447)	225 (5711)	10°/6°	17632 (7998)	18304 (8303)	18933 (8588)
	96 (2414)	56 (1432)	185 (4700)	235 (5964)	10°/6°	17710 (8033)	18383 (8338)	19011 (8623)
	99 (2514)	60 (1532)	196 (5000)	247 (6264)	10°/6°	17796 (8072)	18468 (8377)	19096 (8662)
	103 (2614)	64 (1632)	208 (5300)	259 (6564)	10°/6°	17878 (8109)	18550 (8414)	19179 (8699)

Truck performance may be affected by the condition of the vehicle, how it is equipped and the application. Consult your Yale Industrial Truck Dealer if any of the information shown is critical to your application. Specifications are subject to change without notice.

This truck meets all design specifications of ANSI B56.1 Safety Standard for Powered Industrial Trucks at the time of manufacture. Classified by Underwriters' Laboratories, Inc. as to fire hazard only.

The Yale products included in this document may be covered by US patent 6,684,148 and other patents pending.

Yale, the Yale Logo, Veracitor™ VX and Yale Global Hi Vis™ Mast are trademarks or registered trademarks of Yale Material Handling Corporation in the United States and other countries.

Note: GP100-120VX has standard 300 x 15 drive tires @ 57.1 inch (1450 mm) overall width.



Yale Materials Handling Corporation
P.O. Box 7367, Greenville, North Carolina 27835-7367

2251-2a 06/08

Copyright 2008
Yale Materials Handling Corporation
Printed in U.S.A.

Manufactured in our own ISO 9001:2000 Registered Facilities