

6,000 • 8,000 lbs

**Yale** motorized hand trucks incorporate the latest state-of-the-art technology and ergonomics design making Yale the leader for walkie/rider applications.

#### Controls

Travel direction and speed are selected by rotating the actuator in the desired direction of travel. The rotary actuator provides multiple grip positions minimizing operator fatigue. The stationary portion of the hand rail minimizes wrist movement and provides a solid grip while maneuvering the truck. The top-mounted handle optimizes operator comfort in the ride position.

Lift, lower, and horn pushbuttons are conveniently located on the control handle and hand rail to enable use in the walk or ride position.

The Traction Reversing Switch located on top of the handle provides a large area of contact for the operator. When the operator makes contact with the switch the truck simultaneously reverses direction and sounds the horn.

**Optional Power Assist Steer** helps the operator to easily maneuver the truck with heavy loads through congested loading areas. The amount of assist varies based upon control handle position, steer angle and truck travel speed.

#### Operator's Compartment

The ergonomically designed hand rail and platform enables operation from either the left or right side. The top-mounted handle and hand rail buttons provide intuitive control of travel, steering, lift/lower and the horn. The hand rail provides a place for the operator to grab when stepping on to the platform as well as providing stability when driving the truck. The auxiliary controls located on the hand rail are designed to minimize movement of the hand to actuate the various functions. This design adds to operator stability.

The large platform, top-mounted control handle, and contoured covers give the operator maximum workspace. The hand rail and handle grips are designed to fit an operator's natural hand position. A thick cushioned floor mat and padded hand rail absorbs road shock and reduces operator fatigue.

#### Electrical System

The electrical system utilizes AC drive technology designed for exceptional performance. High starting torque and smooth acceleration are a few factors benefited from this technology. A speed sensor built into the motor provides feedback to the control system, allowing motor speed and direction to be continuously monitored. The MPE provides industry leading acceleration and a top speed up to 9 mph.

#### CANbus Communication Technology

streamlines communications between truck systems. The control handle, controller, display and optional power assist steer communicate via the CANbus network. CANbus reduces wiring and electrical connections.

**A Thermal Management System** continuously monitors traction motor and motor controller temperatures, and if necessary, the system gradually adjusts performance to protect truck systems.

#### AC Traction System

The traction system consists of the traction motor, gearbox, and brake. The innovative gear box design incorporates maintenance-free steer bearings, a stationary mounted traction motor, integrated motor pinion, and drive axle string guard. The permanently lubricated steer bearings are sealed within the gearbox housing. The stationary trac-

tion motor eliminates power cable tension and flex. The integral pinion and support bearings optimize the gear mesh resulting in a quieter gearbox. The splined coupling allows for quick removal and installation of the traction motor. The drive axle string guard minimizes axle seal damage from shrink-wrap, banding, etc. The electrically released/mechanically applied brake is mounted on the top of the traction motor for ease of inspection and service.

**The on-board software** allows certified personnel access to programming, test and diagnostic functions without the need of a handset or special tools. More in-depth programming can be performed by the servicing dealer using a PC service tool. Certified technicians can customize the performance of the truck to meet the customer's particular application. The truck features four operator selectable modes, as well as two master level performance settings.

#### Hydraulic Components

The high performance hydraulic system is designed for high cycle, multi-shift operations. The hydraulic pump and motor assembly features a series wound motor which provides high torque and low noise. The translucent tank provides quick and easy inspection of hydraulic oil level.

#### Forks and Frame

Robotically welded steel forks are formed and fabricated for strength and rigidity. The 1" x 2" pull rods and replaceable threaded ends allow for easy fork adjustment. Pull rod adjustment can be easily made from the top of the fork.

#### Pallet Entry and Exit

Yale fork design provides industry leading pallet entry and exit of both standard and non-standard pallets. The pallet entry/exit system consists of a tapered fork nose, exit runners, and a center roller.

#### Wheels, Tires, and Casters

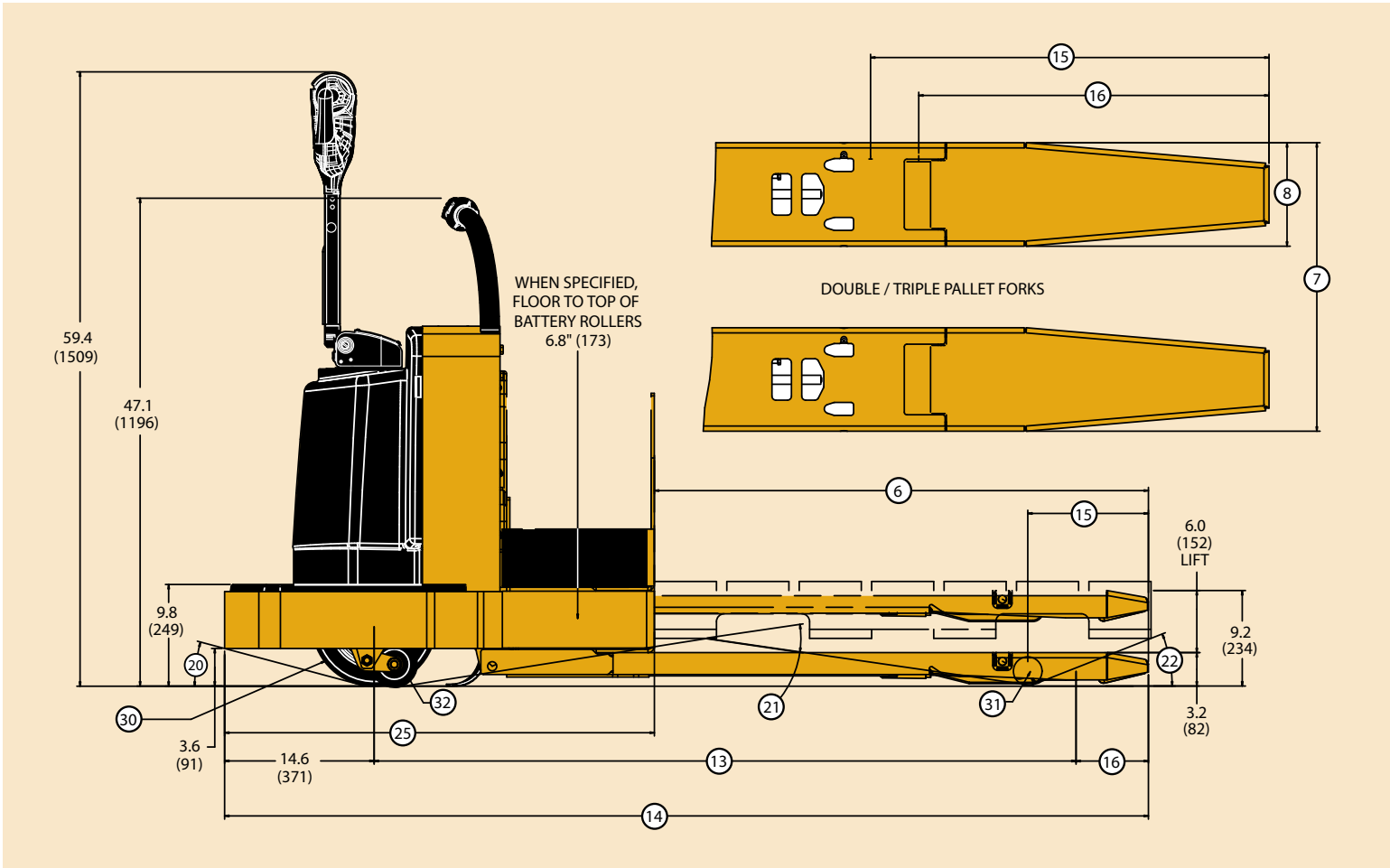
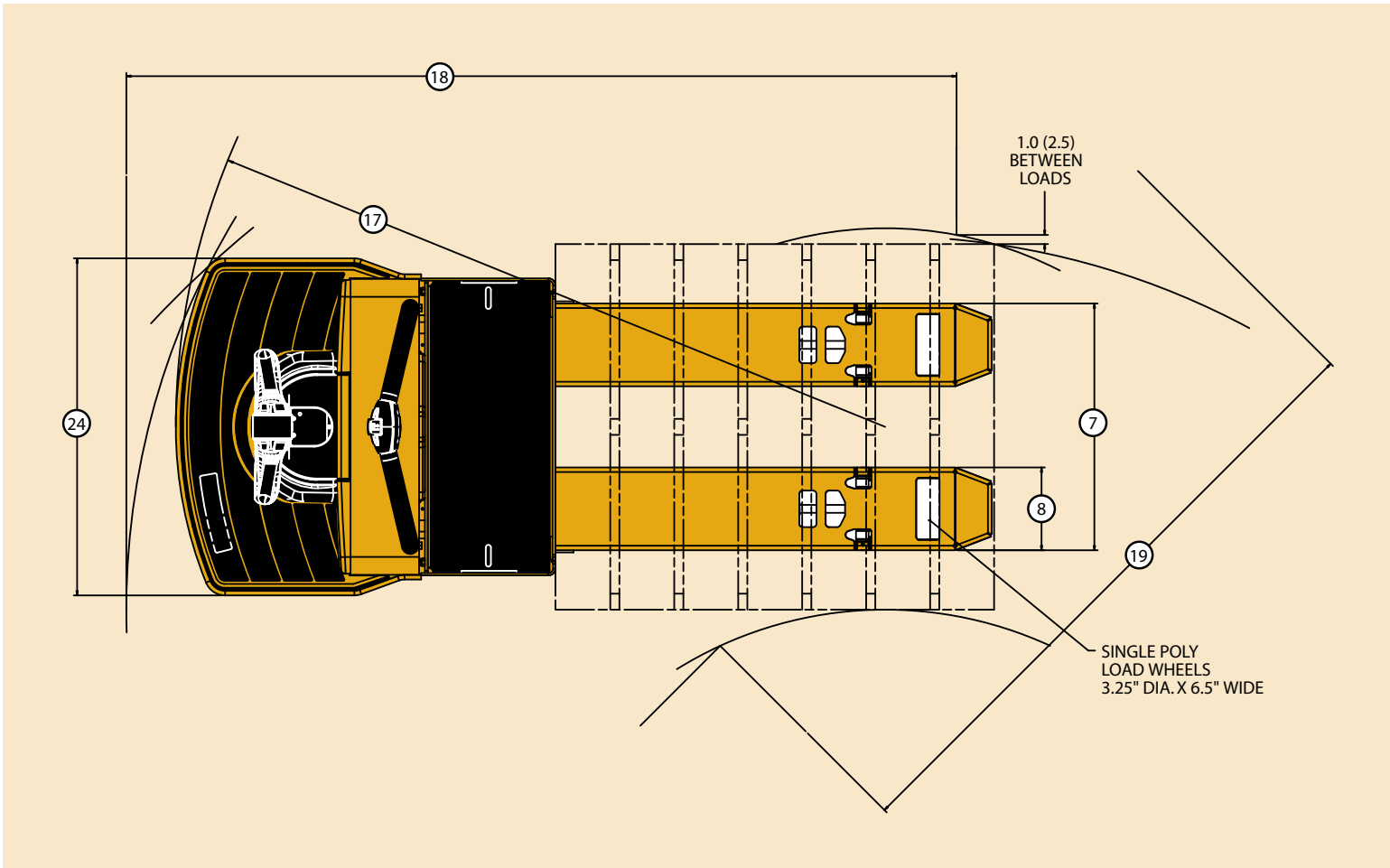
A 10" drive tire is used on the MPE060 while the 12" drive tire is used on the MPE080. The drive wheel is secured to the drive axle with five bolts. Single load wheels (3.25" x 6.5") are standard on all trucks. A knock-out axle provides access for quick and easy maintenance. Four bearing load wheels are standard on the MPE080. Two spring-loaded casters provide additional stability.



*Truck shown with optional equipment*



***Manufactured in our own ISO 9001 and ISO 14001 Registered Facilities***



Circled dimensions correspond to the line numbers on the tabulated chart inside the spec sheet. Dimensions are in inches (millimeters).

GENERAL	1	Manufacturer			<b>Yale</b> <b>MPE060</b> <b>Battery - 24 Volt</b> <b>Stand Ride</b> <b>6000 (2722)</b>				
	2	Model Designation							
	3	Power							
	4	Operation							
	5	Rated Capacity		lb. (kg)					
6	Fork Length	Nominal	in. (mm)	36 (914)	42 (1067)	48 (1219)	60 (1524)		
	Fork Length	Actual	in. (mm)	35.75 (908)	41.75 (1060)	47.75 (1213)	59.75 (1518)		
7	Fork Overall Width		in. (mm)	27.0 (686)	27.0 (686)	27.0 (686)	27.0 (686)		
8	Fork Width	Individual Fork	in. (mm)	9.1 (231)	9.1 (231)	9.1 (231)	9.1 (231)		
9	Load Distance	Face of Forks to Center of Load Wheel	Lowered	in. (mm)	28.75 (730)	34.75 (883)	40.75 (1035)	52.75 (1340)	
WEIGHTS	10	Truck Weight	Without Battery	No Load	lb. (kg)	1237 (561)	1257 (570)	1272 (577)	1302 (591)
	11	Axle Loading	Drive Static with Max. Wt. Battery	Rated Load	lb. (kg)	2268 (1029)	2566 (1164)	2807 (1273)	3212 (1457)
			Drive Static with Max. Wt. Battery	No Load	lb. (kg)	1541 (699)	1601 (726)	1649 (748)	1760 (798)
	12		Load Wheel Static with Max. Wt. Battery	Rated Load	lb. (kg)	6109 (2771)	5831 (2645)	5605 (2542)	5230 (2372)
Load Wheel Static with Max. Wt. Battery			No Load	lb. (kg)	836 (379)	796 (361)	763 (346)	682 (309)	
DIMENSIONS	13	Wheelbase	No Load Backrest or with Pivoting Load Backrest	Raised	in. (mm)	49.2 (1250)	55.2 (1402)	61.2 (1554)	73.2 (1859)
			No Load Backrest or with Pivoting Load Backrest	Lowered	in. (mm)	53.8 (1367)	59.8 (1519)	65.8 (1671)	77.8 (1976)
			With Bolt-On Load Backrest	Raised	in. (mm)	51.2 (1300)	57.2 (1453)	63.2 (1605)	75.2 (1910)
			With Bolt-On Load Backrest	Lowered	in. (mm)	55.8 (1417)	61.8 (1570)	67.8 (1722)	79.8 (2027)
	14	Overall Length	No Load Backrest or with Pivoting Load Backrest		in. (mm)	75.3 (1913)	81.3 (2065)	87.3 (2217)	99.3 (2522)
			With Bolt-On Load Backrest		in. (mm)	77.3 (1963)	83.3 (2116)	89.3 (2268)	101.3 (2573)
	15	Center of Load Wheel to Tip of Forks		Raised	in. (mm)	11.7 (297)	11.7 (297)	11.7 (297)	11.7 (297)
	16			Lowered	in. (mm)	7.0 (178)	7.0 (178)	7.0 (178)	7.0 (178)
	17	Outside Turning Radius	No Load Backrest or with Pivoting Load Backrest	Raised	in. (mm)	63.6 (1615)	69.6 (1768)	75.6 (1920)	87.6 (2225)
			No Load Backrest or with Pivoting Load Backrest	Lowered	in. (mm)	68.3 (1735)	74.3 (1887)	80.3 (2040)	92.3 (2344)
			With Bolt-On Load Backrest	Raised	in. (mm)	65.6 (1666)	71.6 (1819)	77.6 (1971)	89.6 (2276)
			With Bolt-On Load Backrest	Lowered	in. (mm)	70.3 (1786)	76.3 (1938)	82.3 (2090)	94.3 (2395)
	18	Right Angle Stack	No Load Backrest or with Pivoting Load Backrest	Raised	in. (mm)	78.6 (1996)	83.7 (2126)	89.1 (2263)	100.0 (2540)
			With Bolt-On Load Backrest	Raised	in. (mm)	80.4 (2042)	85.4 (2169)	90.9 (2309)	101.8 (2586)
	19	Equal Intersecting Aisle	No Load Backrest or with Pivoting Load Backrest	Raised	in. (mm)	61.8 (1570)	64.9 (1648)	68.0 (1727)	74.3 (1887)
			With Bolt-On Load Backrest	Raised	in. (mm)	63.3 (1608)	66.5 (1689)	69.6 (1768)	75.9 (1928)
20	Grade Clearance		Chassis	%	26	26	26	26	
21			Center of Wheelbase	%	39	34	31	25	
22			Forks	%	39	39	39	39	
23	Lift Height - Top of Fork		Lowered Height / Raised Height / Total Lift	in. (mm)	3.2 / 9.2 / 6.0 (81 / 234 / 152)				
24	Truck Overall Width			in. (mm)	36.9 (937)				
25	Chassis Length	Length to Face of Forks		in. (mm)	39.5 (1003)				
26	Battery Compartment	Length x Width x Height	Standard / With Battery Rollers	in. (mm)	32.0 x 13.4 x OPEN (813 x 340 x OPEN) / 31.0 x 13.4 x OPEN (787 x 340 x OPEN)				
PERF.	27	Travel Speed	Chassis First	No Load / Rated Load	mph (kph)	9.0 / 6.7 (14.5 / 10.8)			
			Forks First	No Load / Rated Load	mph (kph)	6.0 / 5.2 (9.7 / 8.4)			
28	Drive Control		Type		AC				
29	Service Brake		Type		Electro-Mechanical				
WHEELS	30	Drive Tire		Size / Type (Number of Wheels)	in.	10.0 x 5.0 x 6.5 / Poly (1)			
	31	Load Wheel		Size / Type (Number of Wheels)	in.	3.25 x 6.5 / Poly (2)			
	32	Caster Tire		Size / Type (Number of Wheels)	in.	4.0 x 2.5 / Poly - Spring Loaded (2)			

Above specifications, unless otherwise listed, are for a standard truck without optional equipment.  
Right Angle Stack and Equal Intersecting Aisle are calculated using a 40" wide pallet.  
Grade Clearance measured to the bottom of the pallet with forks in a raised position.

<b>Yale</b>								<b>1</b>	<b>GENERAL</b>
<b>MPE080</b>								<b>2</b>	
<b>Battery - 24 Volt</b>								<b>3</b>	
<b>Stand Ride</b>								<b>4</b>	
<b>8000 (3629)</b>								<b>5</b>	
36 (914)	42 (1067)	48 (1219)	60 (1524)	84 (2134)	93 (2362)	96 (2438)	144 (3658)	<b>6</b>	<b>WEIGHTS</b>
35.75 (908)	41.75 (1060)	47.75 (1213)	59.75 (1518)	83.75 (2127)	92.75 (2356)	95.75 (2432)	143.75 (3651)		
27.0 (686)	27.0 (686)	27.0 (686)	27.0 (686)	27.9 (709)	27.9 (709)	27.9 (709)	27.9 (709)		
9.1 (231)	9.1 (231)	9.1 (231)	9.1 (231)	10.0 (254)	10.0 (254)	10.0 (254)	10.0 (254)		
28.75 (730)	34.75 (883)	40.75 (1035)	52.75 (1340)	61.85 (1571)	61.85 (1571)	61.85 (1571)	109.85 (2790)		
1280 (581)	1307 (593)	1334 (605)	1388 (630)	1436 (651)	1463 (664)	1490 (676)	1706 (774)		
2739 (1242)	3128 (1419)	3447 (1564)	3982 (1806)	3576 (1622)	3181 (1443)	2976 (1350)	4714 (2138)		
1770 (803)	1841 (835)	1903 (863)	2045 (928)	2132 (967)	2117 (960)	2102 (953)	2572 (1167)		
7991 (3625)	7629 (3460)	7337 (3328)	6856 (3110)	7310 (3316)	7732 (3507)	7964 (3612)	6442 (2922)		
960 (435)	916 (415)	881 (400)	793 (360)	754 (342)	796 (361)	838 (380)	584 (265)		
51.2 (1300)	57.2 (1453)	63.2 (1605)	75.2 (1910)	84.2 (2139)	84.2 (2139)	84.2 (2139)	132.2 (3358)		
55.8 (1417)	61.8 (1570)	67.8 (1722)	79.8 (2027)	88.8 (2256)	88.8 (2256)	88.8 (2256)	136.8 (3475)		
53.2 (1351)	59.2 (1504)	65.2 (1656)	77.2 (1961)	86.2 (2189)	86.2 (2189)	86.2 (2189)	134.2 (3409)		
57.8 (1468)	63.8 (1621)	69.8 (1773)	81.8 (2078)	90.8 (2306)	90.8 (2306)	90.8 (2306)	138.8 (3526)		
77.3 (1963)	83.3 (2116)	89.3 (2268)	101.3 (2573)	125.3 (3183)	134.3 (3411)	137.3 (3487)	185.3 (4707)	<b>14</b>	
79.3 (2014)	85.3 (2167)	91.3 (2319)	103.3 (2624)	127.3 (3233)	136.3 (3462)	139.3 (3538)	187.3 (4757)		
11.7 (297)	11.7 (297)	11.7 (297)	11.7 (297)	26.5 (673)	35.5 (902)	38.5 (978)	38.5 (978)		
7.0 (178)	7.0 (178)	7.0 (178)	7.0 (178)	21.9 (556)	30.9 (785)	33.9 (861)	33.9 (861)		
65.6 (1666)	71.6 (1819)	77.6 (1971)	89.6 (2276)	98.6 (2504)	98.6 (2504)	98.6 (2504)	149.6 (3800)		
70.3 (1786)	76.3 (1938)	82.3 (2090)	94.3 (2395)	103.3 (2624)	103.3 (2624)	103.3 (2624)	154.3 (3919)		
67.6 (1717)	73.6 (1869)	79.6 (2022)	91.6 (2327)	100.6 (2555)	100.6 (2555)	100.6 (2555)	151.6 (3851)		
72.3 (1836)	78.3 (1989)	84.3 (2141)	96.3 (2446)	105.3 (2675)	105.3 (2675)	105.3 (2675)	156.3 (3970)		
80.3 (2040)	85.7 (2177)	91.0 (2311)	101.7 (2583)	129.1 (3279)	137.4 (3490)	140.1 (3559)	186.2 (4729)	<b>18</b>	
82.1 (2085)	87.4 (2220)	92.8 (2357)	103.5 (2629)	130.9 (3325)	139.2 (3536)	142.0 (3607)	188.1 (4778)		
62.9 (1598)	66.0 (1676)	69.1 (1755)	75.3 (1913)	80.6 (2047)	82.0 (2083)	82.6 (2098)	106.6 (2708)	<b>19</b>	
64.4 (1636)	67.6 (1717)	70.7 (1796)	76.9 (1953)	81.7 (2075)	83.7 (2126)	84.1 (2136)	107.4 (2728)		
27	27	27	27	27	27	27	27	<b>20</b>	
38	33	30	24	22	22	22	14	<b>21</b>	
39	39	39	39	17	13	11	11	<b>22</b>	
3.2 / 9.2 / 6.0 (81 / 234 / 152)								<b>23</b>	<b>DIMENSIONS</b>
36.9 (937)								<b>24</b>	
41.5 (1054)								<b>25</b>	
32.0 x 13.4 x OPEN (813 x 340 x OPEN) / 31.0 x 13.4 x OPEN (787 x 340 x OPEN)								<b>26</b>	
9.0 / 6.2 (14.5 / 10.0)								<b>27</b>	
6.0 / 5.2 (9.7 / 8.4)								<b>28</b>	
AC								<b>29</b>	
Electro-Mechanical								<b>30</b>	
12.0 x 4.5 x 8.0 / Poly (1)								<b>31</b>	
3.25 x 6.5 / Poly (2)								<b>32</b>	
4.0 x 2.5 / Poly - Spring Loaded (2)								<b>32</b>	<b>WHEELS</b>

OPTIONS	MPE060	MPE080
Power Assist Steer	✓	✓
Heavy Duty Casters	✓	✓
Battery Rollers	✓	✓
Convenience Tray (Load Backrest Mounted or Battery Mounted)	✓	✓
RF Terminal Power Supply - 24 Volt, Unregulated	✓	✓
Audible Alarm	✓	✓
Visible Alarm - Pole Mounted Amber Strobe	✓	✓
Fork Lengths:		
36" Long Forks	✓	✓
42" Long Forks	✓	✓
60" Long Forks	✓	✓
84" Long Forks		✓
93" Long Forks		✓
96" Long Forks		✓
144" Long Forks		✓
Drive Tire:		
Soft Polyurethane - 80 Durometer - 12" x 4.5"		✓
Siped Polyurethane - 90 Durometer - 12 x 4.5"		✓
Rubber - 65 Durometer - 10" x 5.0"	✓	
Siped Polyurethane - 90 Durometer - 10" x 5.0	✓	
Load Wheels - Various Options Available	✓	✓
Load Backrest:		
48" High (Pivoting or Bolt-on)	✓	✓
60" High (Pivoting or Bolt-on)	✓	✓
72" high (Bolt-on)	✓	✓
Accessories:		
Pick Assist with Coast Control	✓	✓
Application / Environmental Construction:		
Cooler/Freezer Package Operating Temperatures: 0° F to +120° F	✓	✓
SubZero Freezer Package Operating Temperatures: -40° F to +120° F	✓	✓
Extreme Corrosion/Wash Down Package Operating Temperatures: 0° F to +120° F		✓
UL Classification Type "EE"		✓

BATTERY SPECIFICATIONS									
Number of Cells	Cell Size	Plates per Cell	Capacity 6 Hour Rate amp hr (kwh)	Battery Dimensions			Weight lb. (kg)	MPE060	MPE080
				"X" in. (mm)	"Y" in. (mm)	"Z" in. (mm)			
12	75	7	225 (5.2)	25.7 (652)	8.8 (224)	23.3 (592)	540 (245)	✓	✓
12	85	7	255 (6.0)	25.7 (652)	8.8 (224)	23.3 (592)	570 (259)	✓	✓
12	75	11	375 (8.7)	26.5 (673)	13.0 (330)	23.3 (592)	825 (374)	✓	✓
12	85	11	425 (9.9)	26.5 (673)	13.0 (330)	23.3 (592)	865 (392)	✓	✓
12	75	13	450 (10.5)	30.9 (785)	13.0 (330)	23.3 (592)	987 (448)	✓	✓
12	85	13	510 (11.9)	30.9 (785)	13.0 (330)	23.3 (592)	1035 (469)	✓	✓
12	100	13	600 (14.0)	30.9 (785)	13.0 (330)	26.2 (665)	1140 (517)	✓	✓
12	125	13	750 (17.6)	30.9 (785)	13.0 (330)	31.0 (787)	1450 (658)		✓
Battery Connector: 175 Amp, Red				Battery Lead: Length 20" (508 mm), Position "B", 1/0 AWG					

Truck performance may be affected by the condition of the vehicle, how it is equipped and the application. Consult your Yale Industrial Truck Dealer if any of the information shown is critical to your application. Specifications are subject to change without notice.

This truck meets all design specifications of ANSI B56.1 Safety Standard for Powered Industrial Trucks at the time of manufacture. Classified by Underwriters' Laboratories, Inc. as to fire hazard only.

The Yale products included in this document may be covered by US patent 6,684,148 and other patents pending.

Yale, the Yale Logo, Veracitor™ VX and Yale Global Hi Vis™ Mast are trademarks or registered trademarks of Yale Material Handling Corporation in the United States and other countries.